

**JK-T781**

**零件样本**

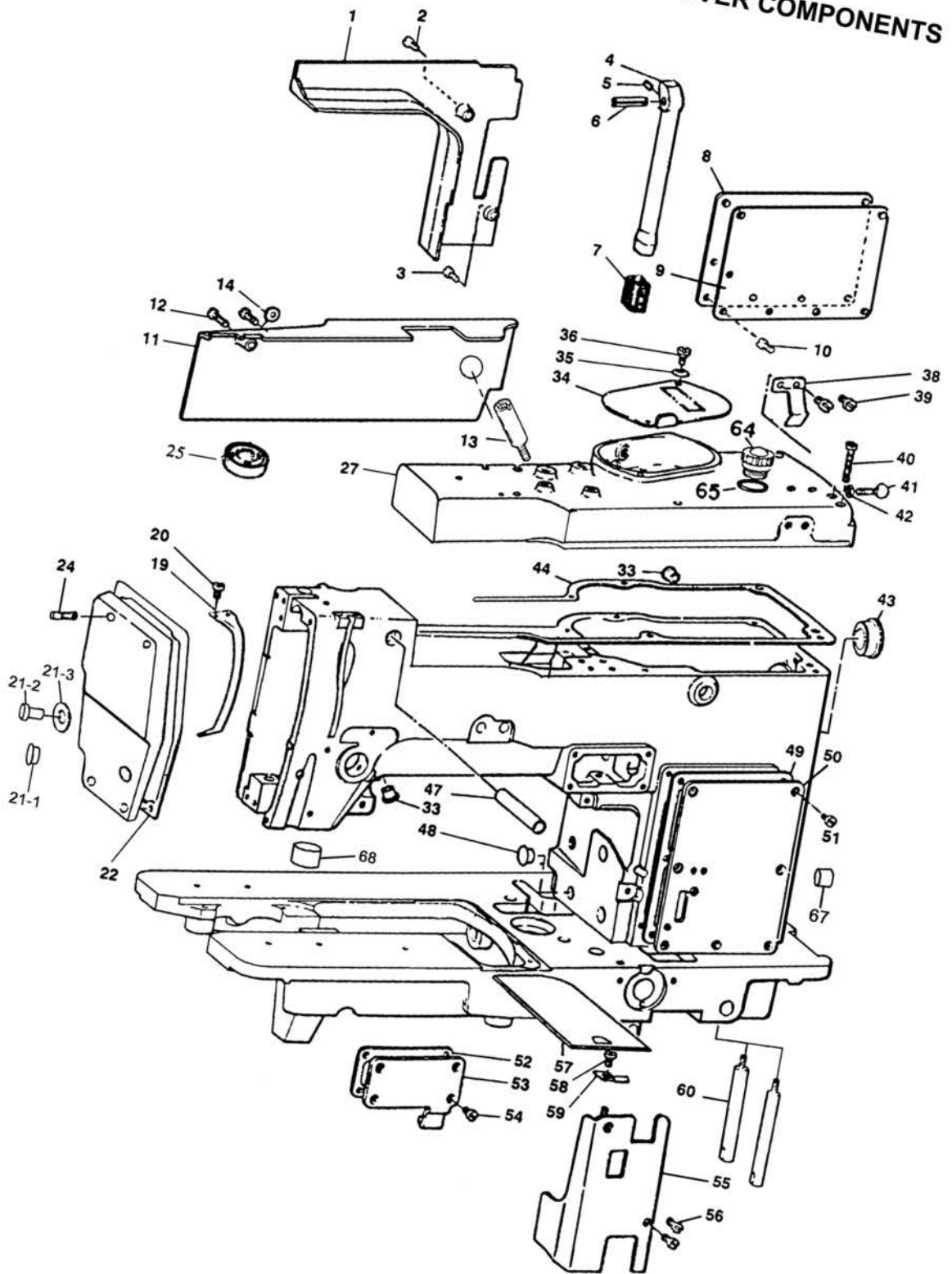
**PARTS BOOK**

**New JACK Sewing  
Machine**

**2013 年 4 月版**

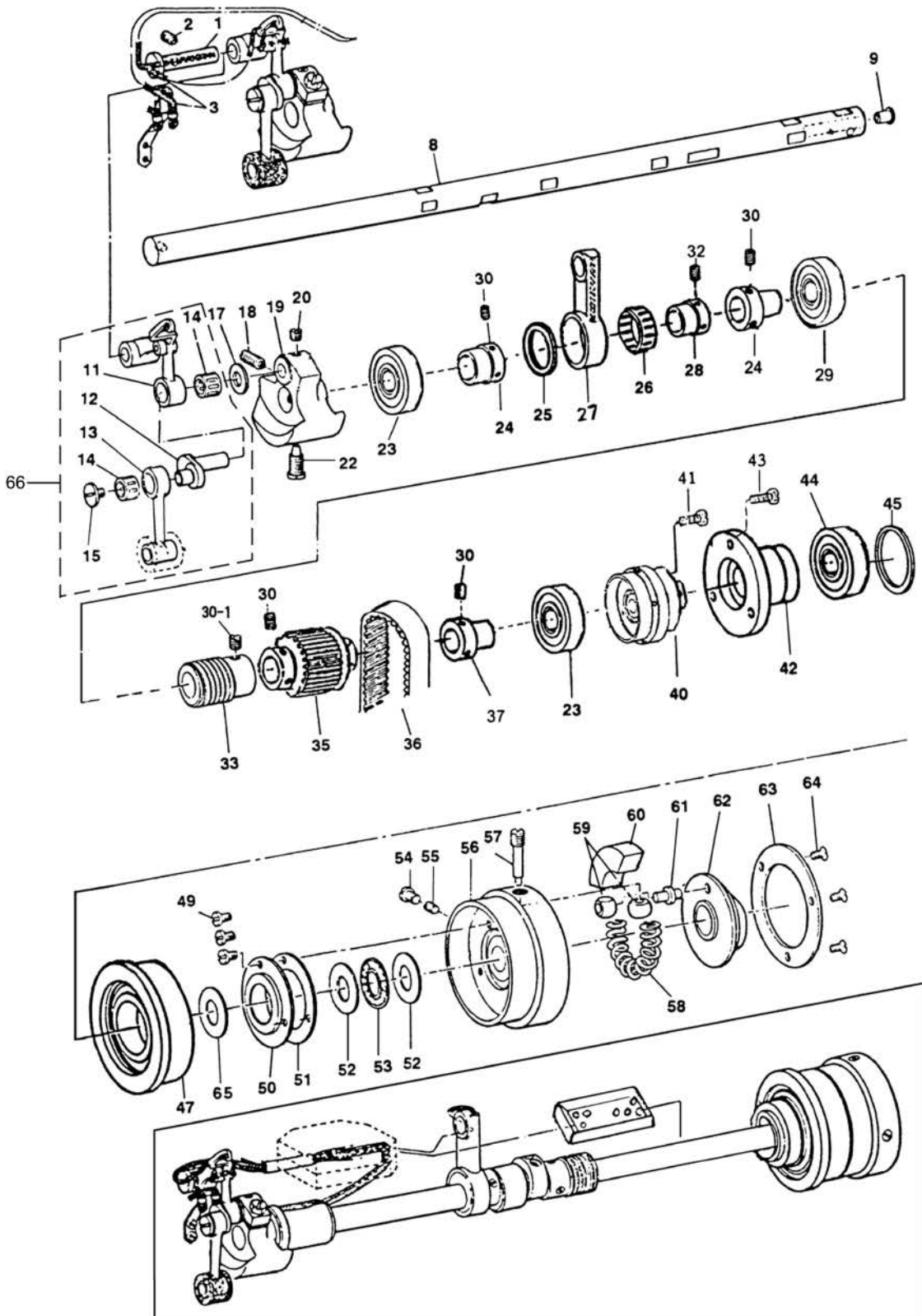
**Revised edition in April, 2013**

# 1. 头部外装关系 / FRAME & MISCELLANEOUS COVER COMPONENTS



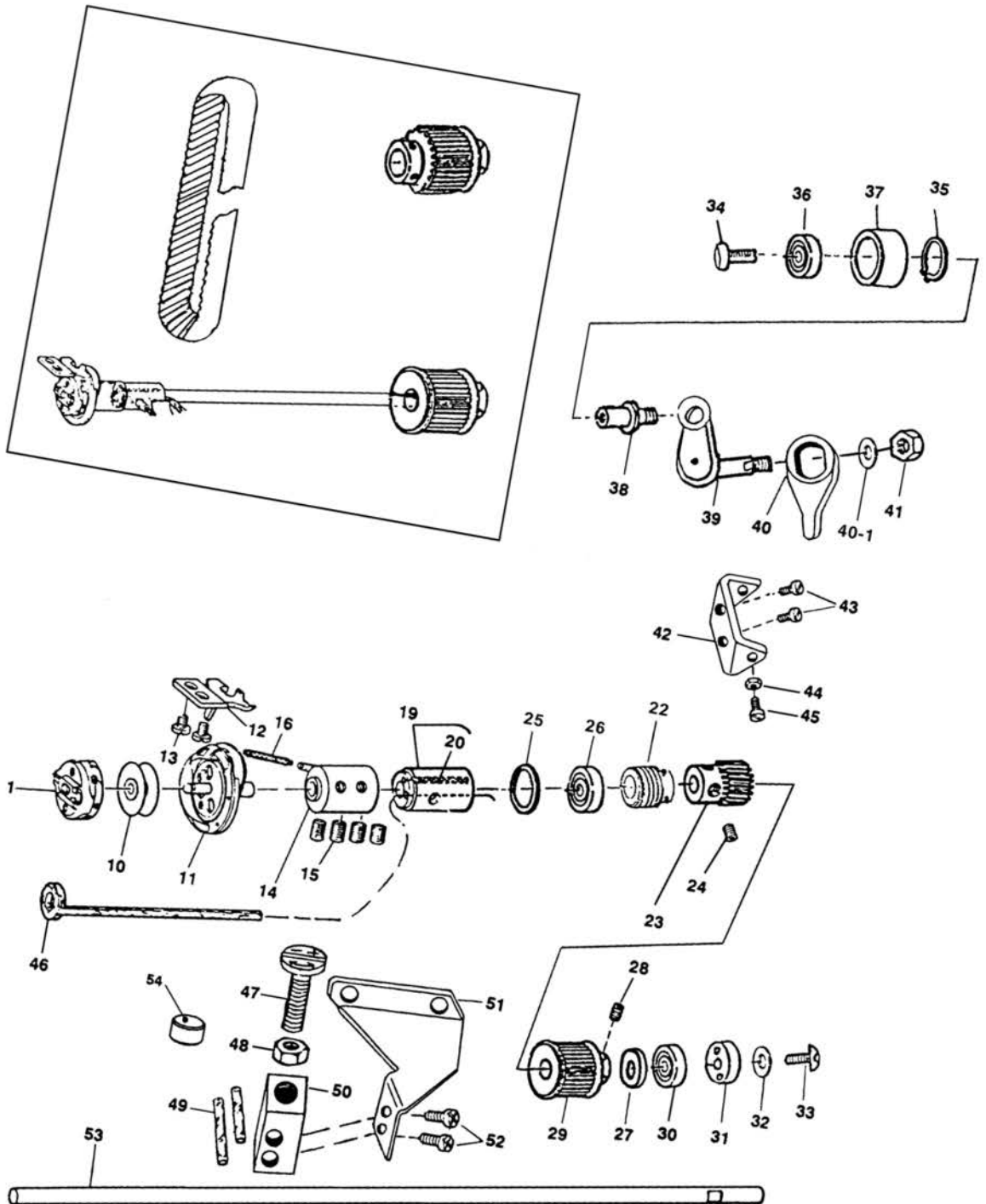
序号 NO	件号 Part NO.	名称	Description	数量 Qty
1	40211001	机头侧盖	FRAME SIDE COVER	1
2	402S11001	螺钉	SCREW	1
3	402S11003	螺钉	SCREW	1
4	40202001	机头支撑臂	MACHINE ARM SUPPORT ROD	1
5	402S11002	螺钉	SCREW	1
6	40226001	弹性圆柱销	PIN	1
7	40222001	橡胶缓冲垫	RUBBER CUSHION	1
8	300502	侧盖板	SIDE COVER	1
9	40222002	侧盖板衬垫	SIDE COVER GASKET	1
10	402S11003	螺钉	SCREW	7
11	300503	机壳侧盖	FRAME SIDE COVER	1
12	402S11031	螺钉	SCREW	2
13	402S30001	螺钉	SCREW	1
14	40222003	缓冲垫	CUSHION	2
15	-----			0
16	-----			0
17	-----			0
18	-----			0
19	300504	挑线杆防护罩	THREAD TAKE-UP LEVER OIL GUARD	1
20	402S11004	螺钉	SCREW	2
21	300505	面板	FACE COVER COMPLETE	1
21-1	40222005	面板塞	FACE COVER COMPLETE PLUG	1
21-2	402S11036	螺钉	SCREW	1
21-3	40228008	垫片	SPACER	1
22	40222006	面板衬垫	GASKET	1
23	-----			0
24	402S11031	螺钉	SCREW	4
25	40222007	油封	OIL SEAL	2
27	300506	顶盖	TOP COVER	1
29	-----			0
30	-----			0
33	-----			0
34	300507	齿轮箱盖板	GEAR CASE COVER	1
35	40228001	碟形垫片	DISC SPRING	1
36	402S20001	轴位螺钉	HINGE SCREW	1
38	40212004	手制动钩	HAND STOP LATCH	1
39	402S11014	螺钉	SCREW	2
40	402S11001	螺钉	SCREW	6
41	402S30002	球形螺钉	BALL SCREW	1
42	402S16001	螺母	NUT	1
43	40222009	橡胶插塞	RUBBER PLUG	1
44	40222010	上顶盖衬垫	TOP COVER GASKET REAR	1
45	-----			0
46	-----			0
47	40203001	停刀杆轴导向管	KNIFE STOP LEVER SHAFT GUIDE	1
48	40222011	橡胶插塞	RUBBER RLUG	3
49	40222012	右侧盖板衬垫	SIDE COVER GASKET	1
50	301293	左侧盖板	SIDE COVER	1
51	402S11003	螺钉	SCREW	7
52	40222013	油视窗衬垫	GASKET	1
53	300509	侧盖	SIDE COVER	1
54	402S11003	螺钉	SCREW	4
55	40211002	侧盖板	SIDE COVER	1
56	402S11003	螺钉	SCREW	2
57	40212007	推板	BED SLIDE	1
58	403S11001	螺钉	SCREW	1
59	40227041	推板簧	BED SLIDE SPRING	1
60	402S30003	底板支撑螺钉	BED SCREW STUD	2
61	-----			0
62	-----			0
63	-----			0
64	40211003	油视窗	OIL SIGHT WINDOW	1
65	40222014	油视窗垫片	OIL SIGHT WINDOW GASKET	1
67	40222016	盲孔塞	RUBBER PLUG	5
68	40223001	油毡	OIL FELT	2

## 2. 上轴关系 / MAIN SHAFT COMPONENTS



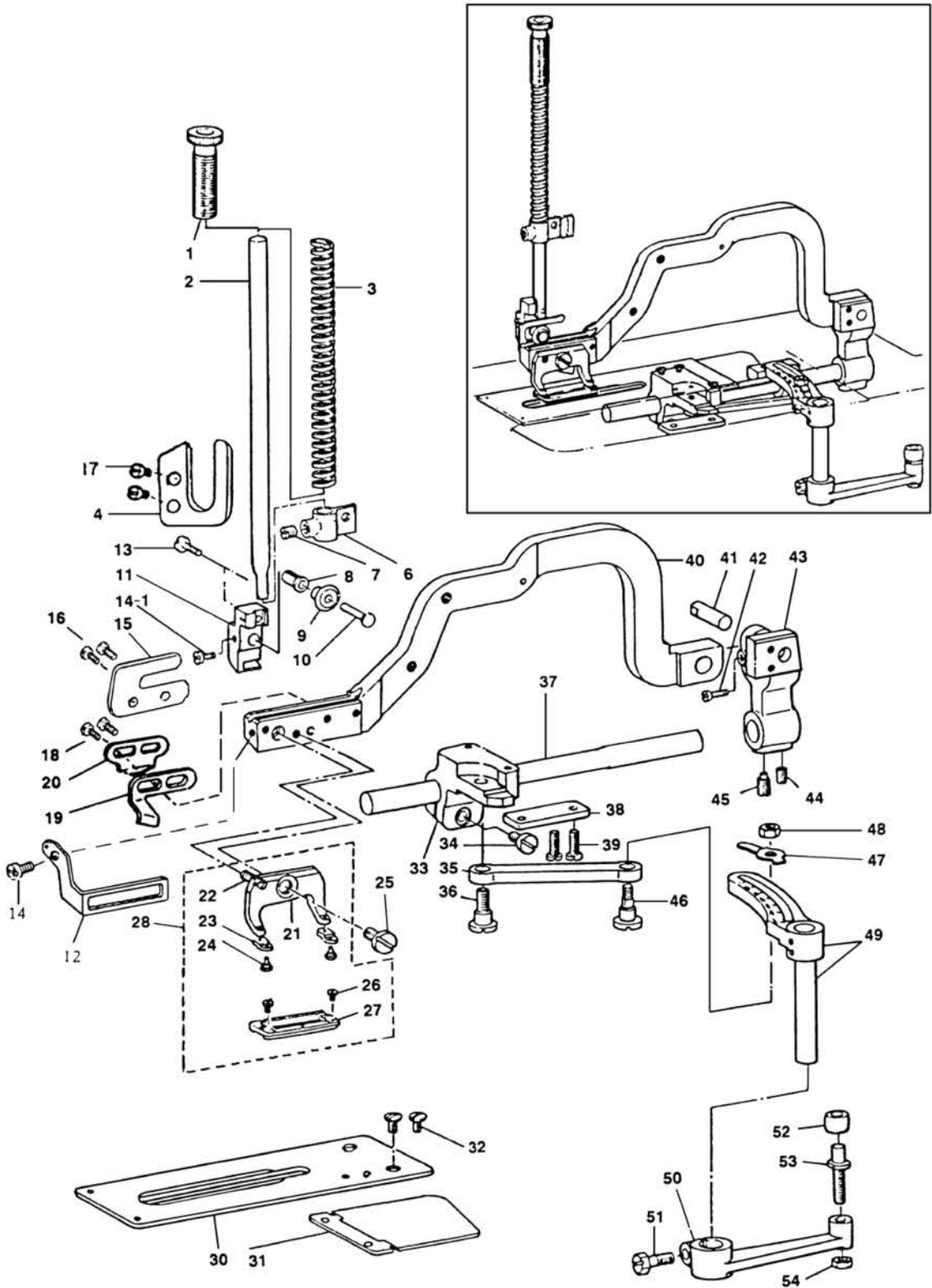
序号 NO	件号 Part NO.	名称	Description	数量 Qty
1	40226002	铰链销	HINGE STUD	1
2	402S14001	螺钉	SCREW	1
3	12923018	油线	OIL WICK	1
4	-----			0
5	-----			0
6	-----			0
7	-----			0
8	40202002	上轴	MAIN SHAFT	1
9	40222017	橡皮塞	RUBBER PLUG	1
10	40238001	挑线连杆	THREAD TAKE-UP CONNECTION ROD	1
11	4023800200	挑线杆组件	THREAD TAKE-UP LEVER ASM.	1
12	40204001	针杆曲柄	NEEDLE BAR CRANK	1
13	40205001	针杆曲柄连杆	NEEDLE BAR CRANK CONNECTING ROD	1
14	B07015	滚针轴承	NEEDLE BEARING	2
15	402S30004	左旋螺钉	END SCREW LEFT	1
16	-----			0
17	40228002	止推垫圈	THRUST WASHER	1
18	402S30005	螺钉	SCREW	1
19	40204002	平衡块	COUNTER WEIGHT	1
20	402S14002	内六角平端紧定螺钉	SCREW	2
21	-----			0
22	101S11003	螺钉	SCREW	1
23	B04009	轴承	BALL BEARING	2
24	40203003	轴套	BALL BEARING	2
25	H03012	挡圈	THRUST COLLAT	1
26	B07016	滚动轴承	ROLLER BEARING	1
27	40205002	刀杆驱动连杆	KNIFE BAR DRIVING CONNECTING ROD	1
28	40210001	刀杆传动偏心凸轮	KNIFE BAR DRIVING ECCENTRIC CAM	1
29	B02004	轴承	BALL BEARING	1
30	402S14006	螺钉	SCREW	8
30-1	409S14001	螺钉	SCREW	2
31	-----			0
32	402S14003	螺钉	SCREW	2
33	40225001	螺钉	WORM	1
34	-----			0
35	4023500100	同步带轮组件	SHAFT SPORCKET	1
36	40235003	同步带	TIMING BELT	1
37	40203004	轴套	ADAPTER	1
38	-----			0
39	-----			0
40	40203005	上轴后轴承壳体	MAIN SHAFT BUSHING	1
41	402S13001	螺钉	SCREW	4
42	40203006	上轴后轴承座	BEARING RETAINER	1
43	206S11002	螺钉	ADAPTER	3
44	B04011	轴承	BALL BEARING	1
45	H03013	挡圈	THRUST COLLAT	1
47	40235004	空转带轮	LOOSE PULLEY	1
48	-----			0
49	402S11005	螺钉	SCREW	3
50	40212008	上轴止推圈	MAIN SHAFT THRUST SEEL	1
51	40222018	衬垫	GASKET	1
52	-----			
53	40228006	推力垫圈	SCREW	1
54	402S11029	螺钉	SCREW	1
55	402S14002	螺钉	SCREW	1
56	40235005	传动带轮	DRIVING PULLEY	1
57	402S30007	螺钉	SCREW	1
58	40227001	止动凸轮调压压簧	STOP CAM PRESSURE SPRING	1
59	40209001	止动凸轮销滑块	STOP-MOTION CAM PIN SLID BLOCK	2
60	40211004	塑料环	BAKELITE SEGMENT	1
61	40226003	止动凸轮定位销	STOP-MOTION CAM POSITION PIN	1
62	40210002	止动凸轮	STOP-MOTION CAM	1
63	40212009	止动凸轮压板	STOP-MOTION CAM PRESSER PLATE	1
64	403S11001	螺钉	SCREW	3
65	40228023	垫圈	WASHER	1
66	4023800200	挑线杆组件	THREAD TAKE UP ASM	1

### 3. 下轴关系 / HOOK DRIVING SHAFT COMPONENTS



序号 NO	件号 Part NO.	名称	Description	数量 Qty
1	4021800100	梭壳组件	BOBBIN CASE ASM.	1
10	4021800200	梭子	BOBBIN	1
11	4021800500	旋梭套组件	HOOK C ASM.	1
12	40212010	梭壳定位板	BOBBIN CASE POSITIONING PLATE	1
13	402S11006	螺钉	SCREW	2
14	4020300700	旋梭筒组件	HOOK SLEEVE ASM.	1
15	413S14011	螺钉	SCREW	4
16	40123016	油线	OIL WICK	1
17	-----			0
18	-----			0
19	40203009	下轴前套	BUSHING ASM	1
20	12923018	油线	OIL WICK	2
21	-----			0
22	40225002	蜗杆	WORM LEVER	1
23	40225003	小齿轮	PINION	1
24	201S14002	螺钉	SCREW	4
25	H01009	挡圈	THRUST COLLAR	1
26	B04012	轴承	BALL BEARING	1
27	20108001	挡圈	THRUST COLLAR	1
28	402S14006	螺钉	SCREW	2
29	4023500700	小皮带链轮组件	BELT SPROCKET	1
30	40224004	轴承	BALL BEARING	1
31	40208001	轴承固定挡圈	COLLAR	1
32	20628006	垫片	WASHER	1
33	402S13001	内六角平头螺钉	SCREW	1
34	S05038	螺钉	SCREW	1
35	H01009	挡圈	THRUST COLLAR	1
36	B04012	轴承	BALL BEARING	1
37	40235008	皮带张紧轮	TENSION PULLEY	1
38	40226005	调节杠杆针	ADJUSTING LEVER PIN	1
39	40205003	张紧轮连杆	TENSION PULLEY LINK	1
40	40212011	调节配件	ADJUSTING GUIDE	1
40-1	40228002	垫片	WASHER	1
41	N01008	螺母M8	NUT	1
42	40212012	调节杆座	ADJUSTING BASE	1
43	206S11002	螺钉	SCREW	2
44	N01001	螺母M4	NUT	2
45	S05077	螺钉M4×14	SCREW	2
46	40223005	油毡	OIL FELT	2
47	402S30009	旋梭调节润滑螺钉	HOOK OIL ADJUSTING SCREW	1
48	402S16002	螺母	NUT	1
49	40221005	油管	OIL TUBE	1
50	400122	调节润滑螺钉座	OIL ADJUSTING SCREW BASE	1
51	40221004	调节润滑螺钉座架	OIL ADJUSTING SCREW BRACKET	1
52	402S11004	螺钉	SCREW	2
53	40202039	下轴	HOOK DRIVING SHAFT	1
54	40226006	调节销	REGULATING HINGE PIN	1

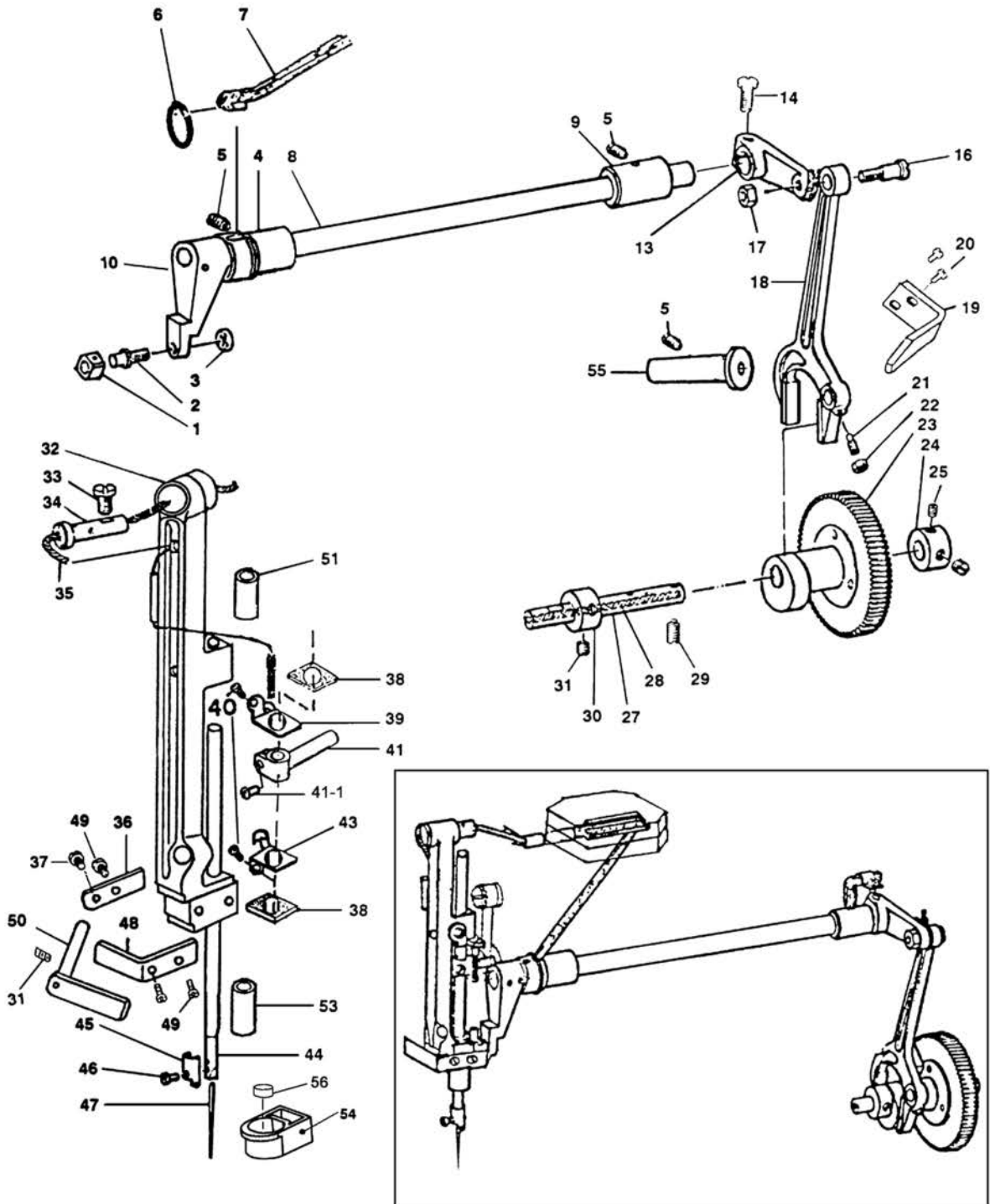
#### 4. 压脚棒、布送板关系 / PRESSER BAR.WORK CLAMP CARRIER COMPONENTS





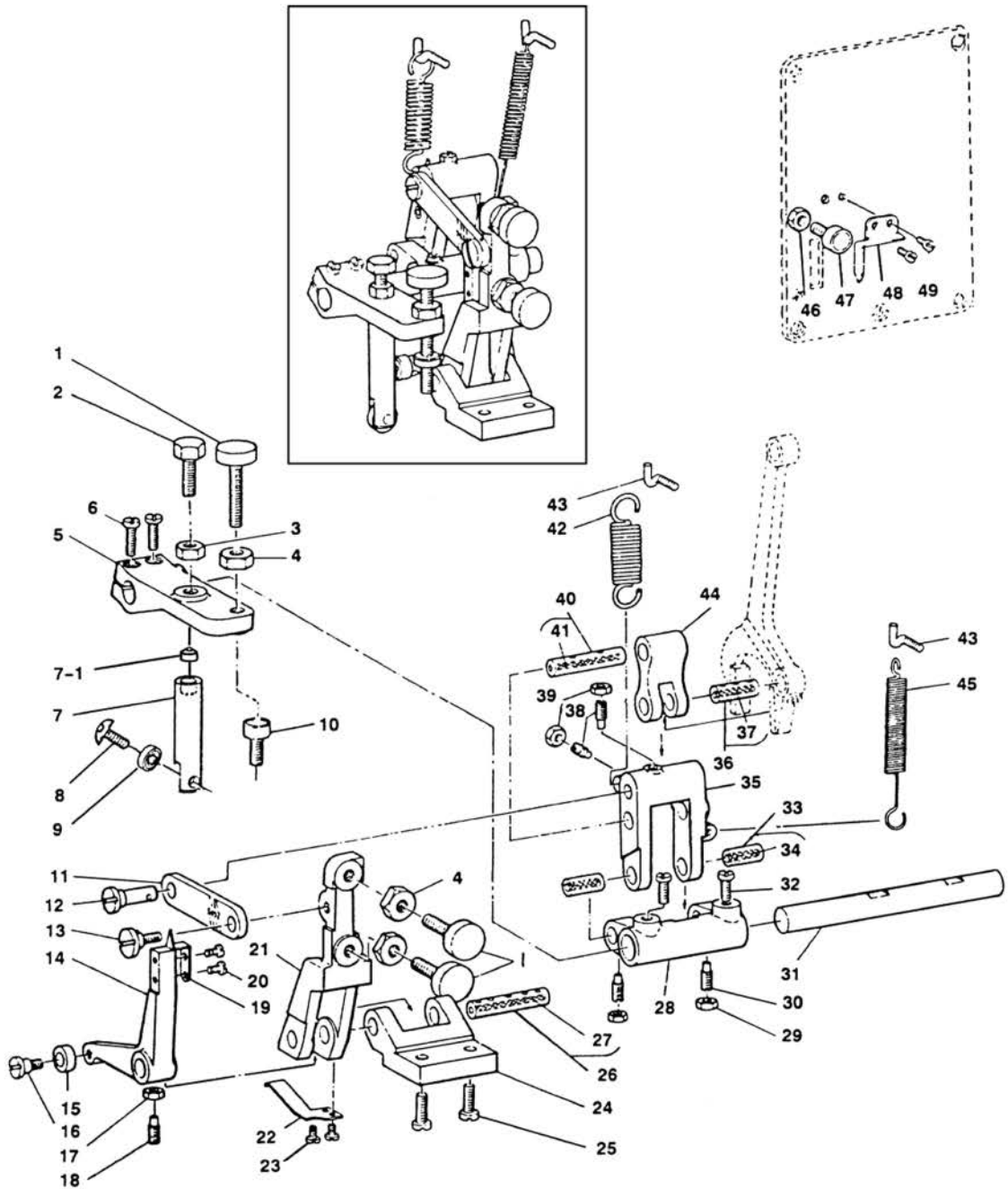
序号 NO	件号 Part NO.	名称	Description	数量 Qty
1	402S30010	压簧调节手柄	PRESSER SPRING REGULATOR	1
2	40202004	压棒	PRESSER BAR	1
3	40227002	压簧	PRESSER SPRING	1
4	40212013	导向支架	GUIDE BRACKET	1
5	-----			0
6	40209003	压棒定位架	PRESSER BAR POSITION BRACKET	1
7	409S14001	内六角平端紧定螺钉	SCREW	1
8	40203010	套管	COLLAR	1
9	40209004	滑动滚轮	SLIDE ROLLER	1
10	40226007	滑动滚轮销	CONNECTING PIN	1
11	40209005	支架	BRACKET	1
12	40212014	安全防护	SAFE DEFEND GUIDE	1
13	402S30011	压棒螺钉	SCREW	1
14	402S11022	螺钉	SCREW	1
14-1	402S11036	螺钉	SCREW	1
15	40212015	导向支架	GUIDE BRACKET	1
16	206S11002	螺钉	SCREW	2
17	206S11002	螺钉	SCREW	2
18	101S11020	螺钉	SCREW	2
19	40212016	面线剪断器导架	NEEDLETHREAD TRIMMER GUIDE	1
20	40212017	面线剪断器导架	NEEDLETHREAD TRIMMER GUIDE	1
21	40216001	压脚板座	WORK CLAMP CHECK HOLDER	1
22	40227003	压脚板座弹簧销	WORK CLAMP CHECK HOLDER SPRING	1
23	40212018	压脚弹簧板	WORK CLAMP CHECK SPRING	2
24	40226008	压脚弹簧定位销	WORK CLAMP CHECK SPRING SET PIN	2
25	402S20002	轴位螺钉	HINGE SCREW	1
26	-----	螺钉	SCREW	2
27	40216002	压脚板	WORK CLAMP CHECK	1
28	4021600300	压脚板座组件	WORK CLAMP CHECK HOLDER ASM.	1
29	-----			0
30	40212019	送布拖板	STITCH PLATE	1
31	4021202000	支架盖板组件	BRACKER COVER	1
32	402S11007	螺钉	SCREW	2
33	40201004	送料支架	WORK CLAMP ARM BRACKET ASM	1
34	401S12001	螺钉	SCREW	1
35	40205004	压脚臂支架	WORK CLAMP CARRIER BRACKET PITMAN	1
36	402S20003	轴位螺钉	HINGE SCREW	1
37	40202005	压脚臂滑杆	WORK CLAMP ARM SLIDE ROD	1
38	40212023	送布拖板支架导块	WORK CLAMP CARRIER BRACKET GUIDE	1
39	402S11028	螺钉	SCREW	2
40	40201033	布料夹支架	WORK CLAMP BRACKET	1
41	40226010	连接销	CONNECTION PIN	1
42	402S11009	螺钉	SCREW	1
43	40204031	拖架	BEARING ARM	1
44	402S14006	螺钉	SCREW	1
45	402S30016	螺钉	SCREW	1
46	402S30013	螺钉	SCREW	1
47	40212024	调节送料长度轴导板	LENGTH REGULATING SHAFT GUIDE	1
48	402S16003	螺母	NUT	1
49	4020400400	调节送料长度刻度盘组件	LENGTH REGULATING SCALE ASM.	1
50	40205005	送料臂	BELL CRANK	1
51	S05040	螺钉M6×16	SCREW	1
52	40209006	滚子	ROLLER	1
53	40226012	曲柄滚子销	BELL CRANK ROLLER STUD	1
54	402S16003	螺母	NUT	1

## 5. 针棒摇动台关系 / NEEDLE BAR FRAME COMPONENTS



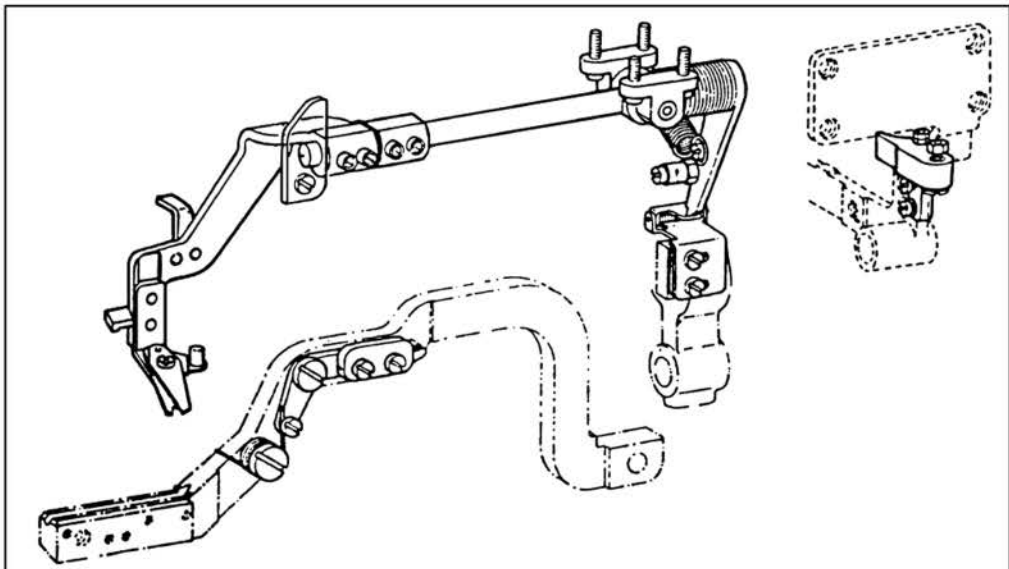
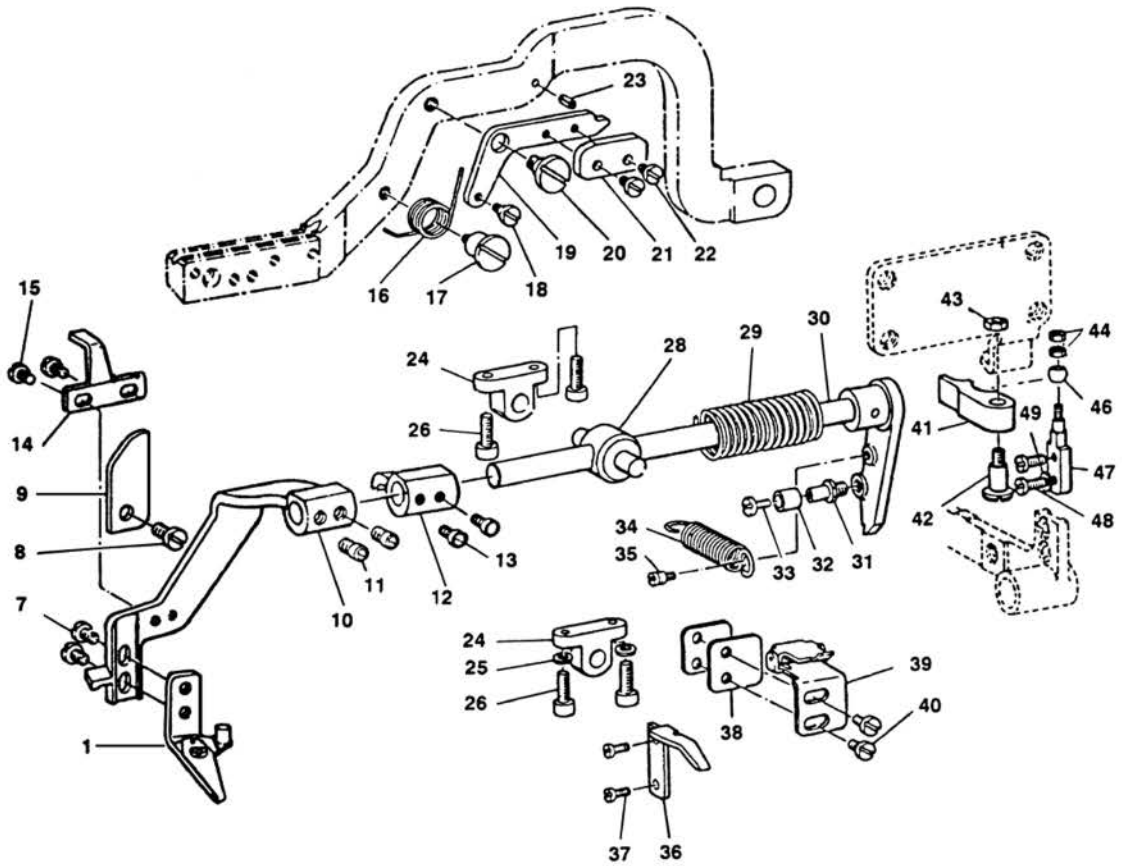
序号 NO	件号 Part NO.	名称	Description	数量 Qty
1	400123	针杆架滑块	NEEDLE BAR CONNECTION SLIDE BLOCK	1
2	402S30014	滑块销螺钉	STUD	1
3	402S16003	螺母	NUT	1
4	40203011	摇杆后轴套	FRAME ROCK SHAFT BUSHING FRONT	1
5	402S14001	螺钉	SCREW	6
6	40222019	O形圈	RUBBER	1
7	40223023	油芯	OIL WICK	1
8	4020200700	摆杆轴组件	FRAME ROCK SHAFT	1
9	40204006	摇杆后轴衬	FRAME ROCK SHAFT BUSHING REAR	1
10	40203012	摆杆曲柄	FRAME ROCK SHAFT CRANK	1
13	40204007	摆杆后柄	FRAME ROCK SHAFT CRANK FRONT	1
14	402S13002	螺钉	SCREW	1
15	-----			0
16	402S20004	轴位螺钉	HINGE SCREW	1
17	402S16004	螺母	NUT	1
18	40204008	针杆摇杆	NEEDLE BAR PITMAN	1
19	400132	摆杆连接导板	ROCK SHAFT CONNECTION GUIDE	1
20	S05049	螺钉M4×14	SCREW	2
21	402S30015	螺钉	SCREW	1
22	402S16005	螺母	NUT	1
23	4022500400	针驱齿轮组件	NEEDLE DRIVING GEAR	1
24	40208002	挡圈	THRUST COLLAR	1
25	402S14006	螺钉	SCREW	2
26	-----			0
27	40203013	切刀驱动轴	CAM SHAFT	1
28	12923018	油线	OIL WICK	1
29	402S30016	螺钉	SCREW	1
30	40208003	挡圈	THRUST COLLAR	1
31	402S14006	螺钉	SCREW	1
32	4020100600	针杆架组件	NEEDLE BAR FRAME	1
33	402S14001	内六角凹端紧定螺钉	SCREW	1
34	40226014	铰链销	HINGE STUD	1
35	12923018	油线	OIL WICK	1
36	40212027	左固定片	RETAINER LEFT	1
37	402S11010	螺钉	SCREW	2
38	40223009	油毡	FELT	2
39	40212028	油线高端固定板	OIL FELT RETAINER HIGH	1
40	402S11022	十字槽盘头螺钉	SCREW	2
41	40205006	针杆连接杆	NEEDLE BAR CONNECTION	1
41-1	402S11010	螺钉	SCREW	1
42	-----			0
43	40212029	油线底端固定板	OIL FELT RETAINER LOWER	1
44	40202009	针杆	NEEDLE BAR	1
45	40213001	针杆导线架	NEEDLE BAR BOBBIN THREAD GUIDE	1
46	101S11006	螺钉	SCREW	1
47	40217002	机针	NEEDLE	5
48	40212030	右固定片	RETAINER RIGHT	1
49	402S11010	螺钉	SCREW	2
50	400124	固定导片	POSITION BRACKET	1
51	40203014	针杆套筒	NEEDLE BAR BUSHING	1
52	-----			0
53	40203015	针杆套筒	NEEDLE BAR BUSHING	1
54	40211005	油毡架	OIL FELT RETAINER	1
55	40226015	轴心	SHAFT	1
56	40223010	油毡	OIL FELT	1

## 6. 针摆幅调节关系 / OVEREDGING WIDTH ADJUSTING COMPONENTS



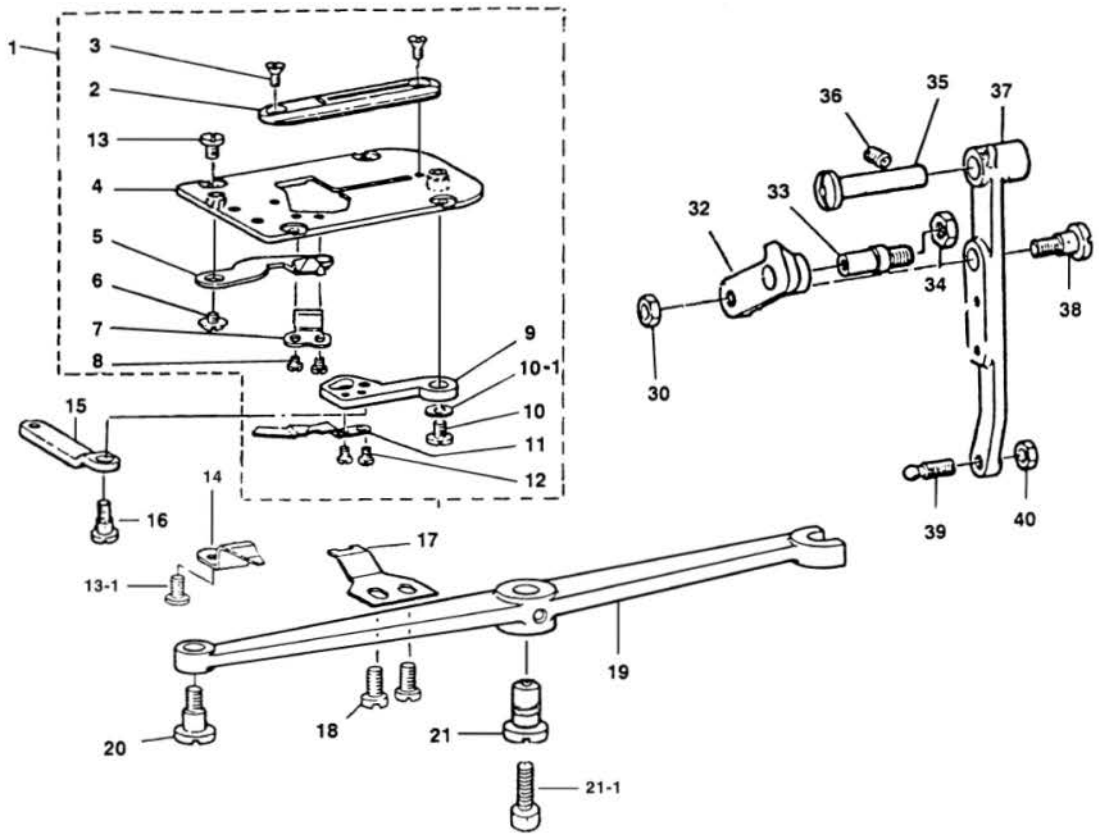
序号 NO	件号 Part NO.	名称	Description	数量 Qty
1	402S30017	线迹宽度调节螺钉	STITCH WIDTH REGULATING SCREW	3
2	402S11034	螺钉	SCREW	1
3	402S16006	螺母	NUT	1
4	N01008	螺母M8	NUT	3
5	40201008	复位杆	REPOSITIONING LEVER	1
6	101S11021	螺钉	SCREW	2
7	40202010	离合杆	TRIPPING ROD	1
7-1	40211006	止动橡皮	STOP RUBBER	1
8	402S30018	螺钉M5×8	SCREW	1
9	B04013	轴承605Z	BALL BEARING	1
10	402S30019	调节杆螺钉	REGULATING LEVER STIOPPER	1
11	40205007	调节杆连接板	REGULATING LEVER COBBECTION	1
12	40226016	调节销	REGULATING HINGE PIN	1
13	402S20005	轴位螺钉	HINGE SCREW	1
14	40204009	指示曲柄	BELL CRANK	1
15	40209008	滚轮	ROLLER	1
16	402S20006	轴位螺钉	HINGE SCREW	1
17	402S16005	螺母	NUT	1
18	402S30015	螺钉	SCREW	1
19	40212031	刻度指示针	BARRED WIDTH INDICATOR	1
20	101S11006	螺钉	SCREW	2
21	40201009	调节叉杆	REGULATING LEVER	1
22	40227004	弹簧板	SPRING	1
23	101S11006	螺钉	SCREW	2
24	40204010	调节叉杆座	REGULATING LEVER BRACKET	1
25	401S13001	螺钉	SCREW	2
26	40202011	调节杆轴	REGULATING LEVER SHAFT	1
27	40123002	油线	OIL WICK	1
28	40204011	轴承座	BEARING BRACKET	1
29	402S16005	螺母	NUT	2
30	402S30015	紧定螺钉	SCREW	2
31	40202012	针摆复位轴	NEEDLE THROW REPOSITIONING SHAFT	1
32	402S11012	螺钉	SCREW	2
33	40226017	连接销	BEARING BRACKET	2
34	40123002	油线	OIL WICK	2
35	40204012	叉形连杆	REPOSITIONING LEVER LINK	1
36	40226018	连接销	CONNECTING FORKED LINK PIN	1
37	40123002	油线	OIL WICK	1
38	402S30015	螺钉	SCREW	2
39	402S16005	螺母	NUT	2
40	40226019	连接销	CONNECTING STUD	1
41	40123002	油线	OIL WICK	1
42	40227005	弹簧	SPRING	1
43	402S30021	悬挂螺钉	SUSPENSION SCREW	2
44	40204013	叉形连杆	CONNECTING FORKED LINK	1
45	40227006	拉簧	SPRING	1
46	402S16003	螺母	NUT	1
47	402S30020	调节限位螺钉	REGULATING LEVER STOPPER	1
48	40212032	缝宽指示针	SEAM WIDTH INDICATOR	1
49	101S11006	螺钉	SCREW	2

# 7. 上线切刀关系 / NEEDLE THREAD TRIMMER COMPONENTS



序号 NO	件号 Part NO.	名称	Description	数量 Qty
1	4021900100	面线剪刀组件	NEEDLE THREAD TRIMMER ASM.	1
7	402S11036	螺钉	SCREW	2
8	402S11013	十字槽盘头螺钉	SCREW	1
9	40212033	面线器轴导板	NEEDLE THREAD TRIMMER SHAFT GUIDE	1
10	40212034	保持架组件	THREAD TRIMMER HOLDER	1
11	409S14001	螺钉	SCREW	2
12	4020301600	微调保持组件	THREAD TRIMMER HOLDER	1
13	409S14001	螺钉	SCREW	2
14	40212036	限位板	LIMITING PLATE	1
15	402S11036	螺钉	SCREW	2
16	40227008	转距弹簧	DRIVING CAM SPRING	1
17	402S20008	传动凸轮转矩弹簧轴	DRIVING CAM SPRING AXLE	1
18	402S20009	轴位螺钉	HINGE SCREW	1
19	40212037	传动凸轮安装板	DRIVING CAM INSTALLING PLATE	1
20	402S20010	轴位螺钉	HINGE SCREW	1
21	40212038	传动凸轮板	DRIVING CAM	1
22	402S11014	螺钉	SCREW	2
23	P03029	销3×10	SPRING PIN	1
24	40201010	支架	BRACKET	2
25	-----			0
26	402S13001	螺钉	SCREW	4
28	40226022	万向接头	UNIVERSAL JOINT	1
29	40227009	弹簧	SPRING	1
30	4020201300	面线切刀轴组件	NEEDLE THREAD TRIMMER SHAFT	1
31	40226023	滚轮销	STUD	1
32	40209029	滚子	CAM ROLL	1
33	402S11015	螺钉	SCREW	1
34	40227010	切刀弹簧	SPRING	1
35	402S30022	悬挂螺钉	SUSPENSION SCREW	1
36	40212039	压脚臂锁	LATCH PRESSER ARM	1
37	402S11014	螺钉	SCREW	2
38	40212040	垫片	SPACER	2
39	4021204100	锁架组件	LOCKING BRACKET LATCH	1
40	402S11036	螺钉	SCREW	2
41	40209010	剪线轴顶块	THREAD TRIMMING SHAFT SEGMENT	1
42	402S20011	轴位螺钉	HINGE SCREW	1
43	402S16005	螺母	NUT	1
44	402S16007	螺母	NUT	2
45	-----			0
46	40209011	滚柱	ROLLER	1
47	40204015	嵌件	STUD	1
48	406S11009	螺钉	SCREW	2
49	40228008	垫片	WASHER	1

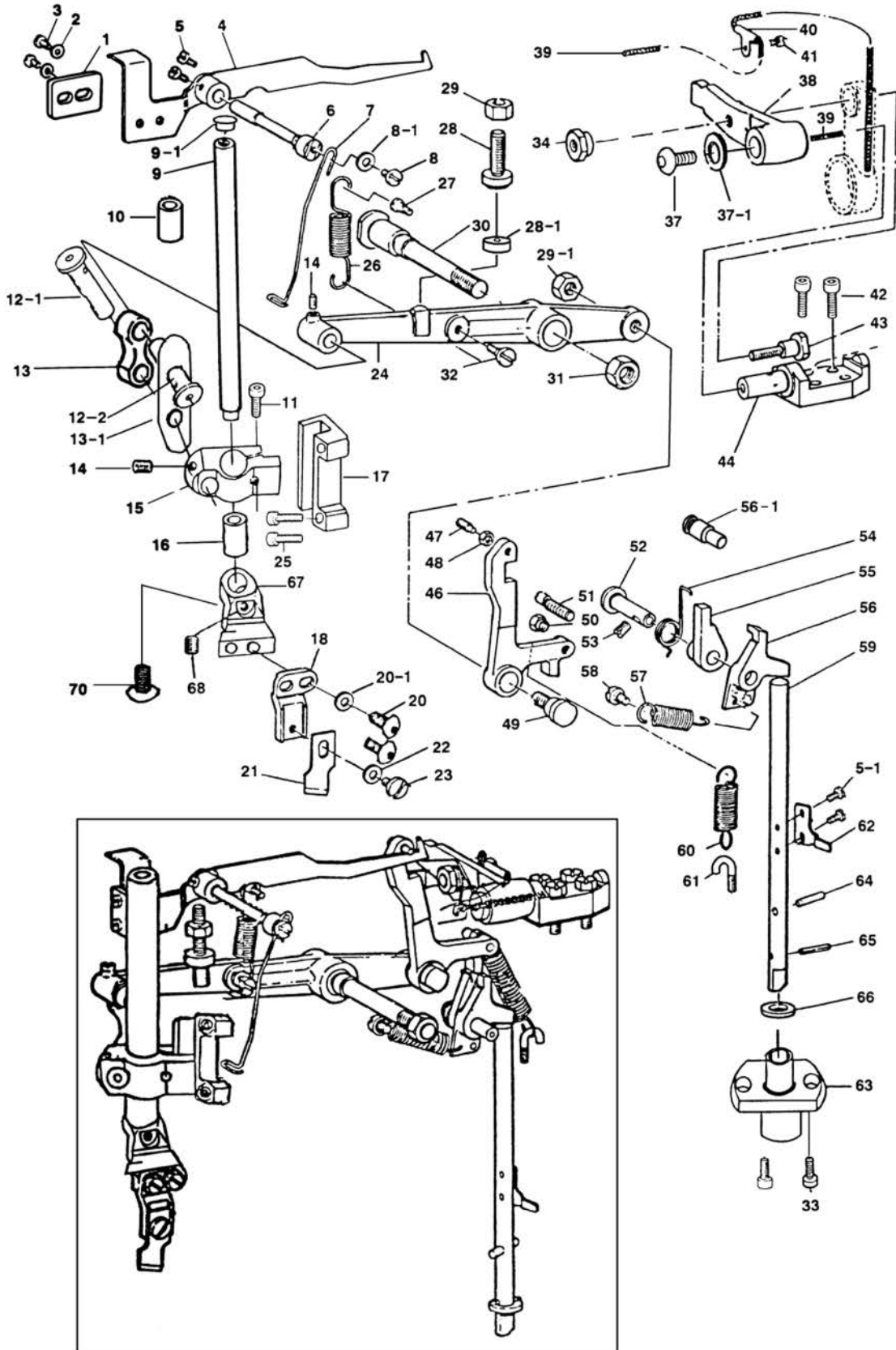
## 8. 下线切刀关系 / BOBBIN THREAD TRIMMER COMPONENTS





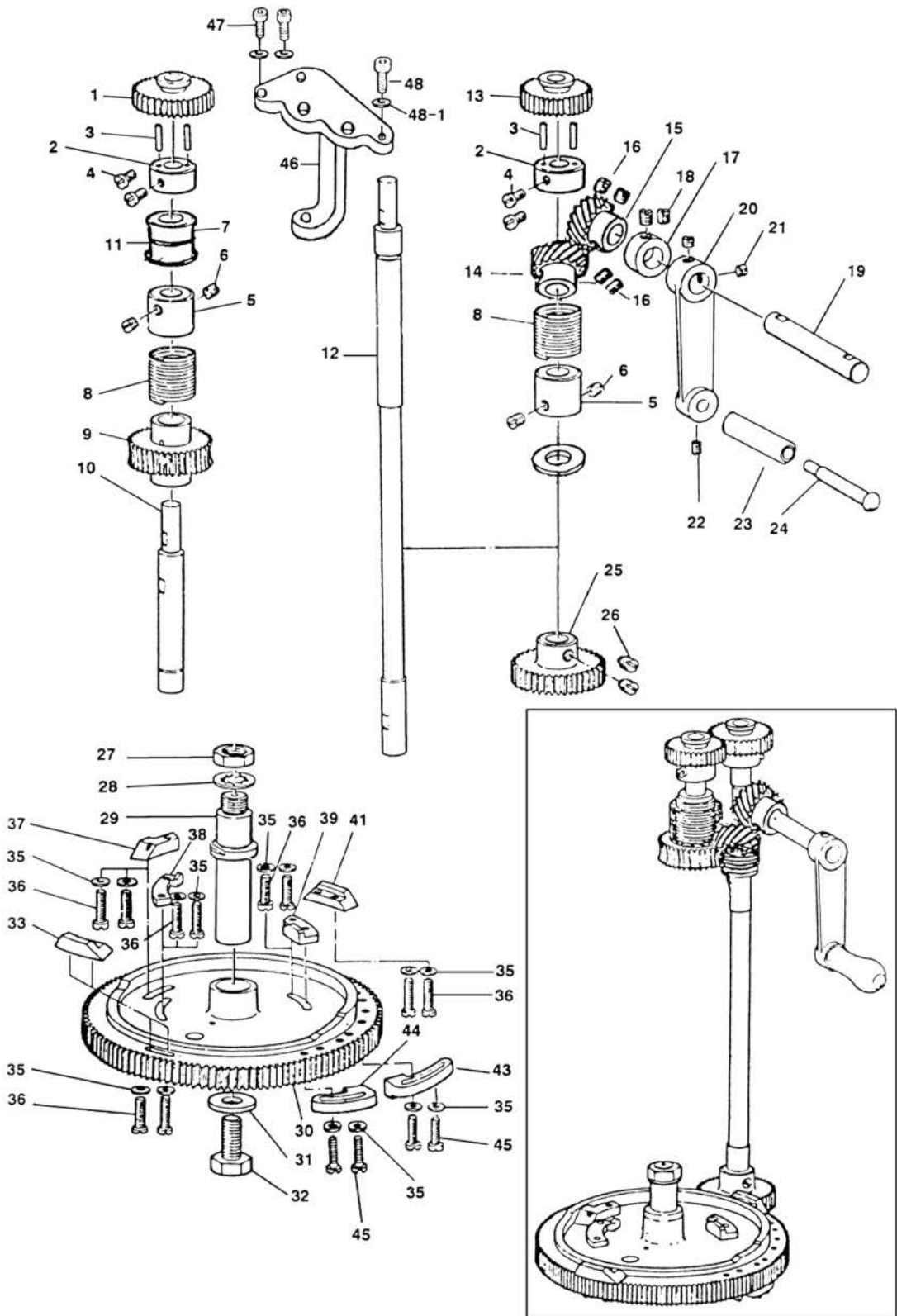
序号 NO	件号 Part NO.	名称	Description	数量 Qty
1	4021500100	剪底线器组件	BOBBIN THREAD TRIMMER ASM.	1
2	40215002	针板组件	NEEDLE PLATE	1
3	402S17001	螺钉	SCREW	2
4	4021500300	针板座组件	THROAT PLATE BASE	1
5	4021900500	剪底线动刀	BOBBIN THREAD TRIMMER	1
6	402S30023	螺钉	SCREW	1
7	40219007	底线切刀固定刀	COUNTER KNIFE	1
8	402S11016	螺钉	SCREW	2
9	40204016	底线切刀杆	BOBBIN THREAD TRIMMER LEVER	1
10	402S11017	螺钉	SCREW	1
10-1	40228009	垫圈	WASHER	1
11	40219008	底线拉杆	BOBBIN THREAD PULLER	1
12	402S11018	螺钉	SCREW	2
13	402S11030	螺钉	SCREW	4
13-1	402S11036	螺钉	SCREW	1
14	40227012	压板	PRESSER PLATE	1
15	40212044	剪底线连杆	BOBBIN THREAD TRIMMER LINK	1
16	402S20012	铰链螺钉	SCREW	1
17	40227013	底线导向板	BOBBIN THREAD GUIDE	1
18	402S11022	螺钉	SCREW	2
19	400736	剪底线传动杆	BOBBIN THREAD TRIMMER DRIVING LEVI	1
20	402S20013	螺钉	HINGE SCREW	1
21	40210004	套筒	SLEEVE	1
22	-----			0
23	-----			0
24	-----			0
25	-----			0
26	-----			0
27	-----			0
28	-----			0
29	-----			0
30	402S16003	螺母	NUT	1
31	-----			
32	40205019	凸轮连杆	CONNECTING LINK	1
33	402S30058	止动限位螺钉	STOP SCREW	1
34	402S16008	螺母	NUT	1
35	40226026	铰链螺栓	HINGE STUD	1
36	402S14001	内六角凹端紧定螺钉	SCREW	1
37	40205010	底线剪刀驱动杆	BOBBIN THREAD TRIMMER DRIVING ARM	1
38	402S20014	轴位螺钉	HINGE SCREW	1
39	402S30025	球形螺钉	BALL SCREW	1
40	402S16003	螺母	NUT	1

# 9. 刀棒关系 / KNIFE BAR COMPONENTS



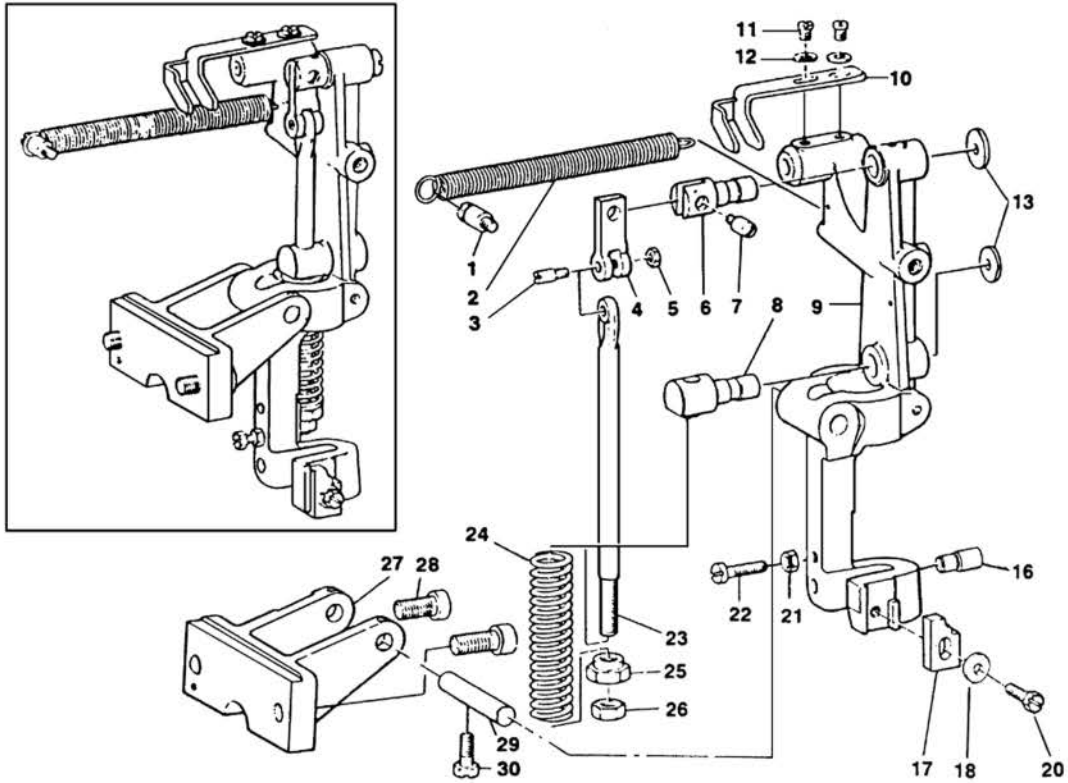
序号 NO	件号 Part NO.	名称	Description	数量 Qty
1	40212045	停刀杆架平衡块	KNIFE STOP LEVER BRACKET	1
2	40228008	1035垫片	WASHER	3
3	402S11036	螺钉	SCREW	2
4	4021204600	停刀杆架组件	KNIFE STOP LEVER	1
5	402S11006	螺钉	SCREW	2
5-1	206S11002	螺钉	SCREW	2
6	40202015	停刀杆架铰链螺栓	KNIFE STOP LEVER HINGE STUD	1
7	40213002	线检测钢丝	THREAD CHECK WIRE	1
8	402S11003	螺钉	SCREW	1
8-1	W01013	垫片	WASHER	1
9	40202016	刀杆	KNIFE BAR	1
9-1	40222020	橡皮塞	RUBBER PLUG	1
10	40203021	刀杆套筒	KNIFE BAR BUSHING	1
11	402S13009	螺钉	SCREW	1
12-1	40226027	连杆针	CONNECTING LINK PIN	1
12-2	40226028	连杆针	CONNECTING LINK PIN	1
13	40205011	刀杆连杆	KNIFE BAR CONNECTING LINK	1
13-1	40222021	垫片	SPACER	1
14	402S30052	螺钉	SCREW	2
15	40201011	刀杆定位架	KNIFE BAR POSITION BRACKET	1
16	40203022	套筒	KNIFE BAR BUSHING	1
17	40209037	刀杆导引	KNIFE BAR GUIDE	1
18	40209013	刀固定架	KNIFE HOLDER	1
19	-----			0
20	402S13005	螺钉	SCREW	2
20-1	40228010	垫片	WASGER	2
21	40219009	刀片1/2"	KNIFE 1/2"	1
22	40228010	垫片	WASHER	1
23	402S11020	螺钉	SCREW	1
24	40201012	刀杆传动杆	KNIFE BAR DRIVING LEVER	1
25	S05077	螺钉	SCREW	2
26	40227014	拉簧	SPRING	1
27	402S30026	铰链销螺钉	HINGE SCREW	1
28	402S30027	螺钉	ADJUSTING SCREW	1
28-1	40222022	止动垫	SPACER	1
29	402S16002	螺母	NUT	1
29-1	402S16021	螺母	NUT	1
30	40202017	刀杆传动杆轴	KNIFE BAR DRIVING LEVER SHAFT	1
31	402S16009	螺母	NUT	1
32	402S20015	轴位螺钉	HINGE SCREW	1
33	S05049	螺钉	SCREW	2
34	402S16010	刀杆传动曲柄螺母	KNIFE BAR DRIVING CRANK NUT	1
37	402S11013	螺钉	SCREW	1
37-1	40228011	垫片	SPACER	1
38	40204017	刀杆传动杆曲柄	KNIFE BAR DRIVING CRANK	1
39	40123002	油线	OIL WICK	1
40	40212026	油线支架	OIL WICK HOLDER	1
41	402S11004	螺钉	SCREW	1
42	S05025	螺钉M6×18	SCREW	2
43	402S20016	铰链螺钉	HINGE SCREW	1
44	40204018	刀杆传动曲柄轴	KNIFE BAR DRIVING CRANK SHAFT	1
46	40201013	刀杆传动杆	KNIFE BAR DRIVING LEVER BELL CRANK	1
47	402S30028	螺钉	SCREW	1
48	402S16005	螺母	NUT	1
49	402S20017	轴位螺钉	HINGE SCREW	1
50	402S16011	螺母	NUT	1
51	40226029	偏心销	PIN	1
52	40226030	铰链螺栓	HINGE STUD	1
53	402S14001	螺钉	SCREW	1
54	40227015	扭簧	TENION SPRING	1
55	40210005	棘轮爪(B)	RATCHET PAWL (B)	1
56	40210006	棘轮爪(A)	RATCHET PAWL (A)	1
56-1	402S30029	弹簧悬置螺钉	SCREW	1
57	40227016	拉簧	TENSION SPRING	1
58	402S20018	轴位螺钉	HINGE SCREW	1
59	40202018	传动杆	DRIVING ROD	1
60	40227017	拉簧	TENSION SPRING	1
61	402S30030	悬挂螺钉	SUAPENSION SCREW	1
62	40212048	指形板	TINGER	1
63	40203023	传动杆定位架	DRIVING ROD POSITION BRACKET	1
64	P01008	销4×18	POSITIONING PIN	1
65	P03030	销3×18	SPRING PIN	1
66	40222023	止推垫圈	THRUST WASHER	1
67	40209014	刀座固定架	KNIFE HOLDER POSITION BRACKET	1
68	402S14006	螺钉	SCREW	1
69	-----			0
70	402S30031	螺钉	SCREW	1

# 10. 送布凸轮关系 / FEED CAM & TRIPPING SEGMENT COMPONENTS



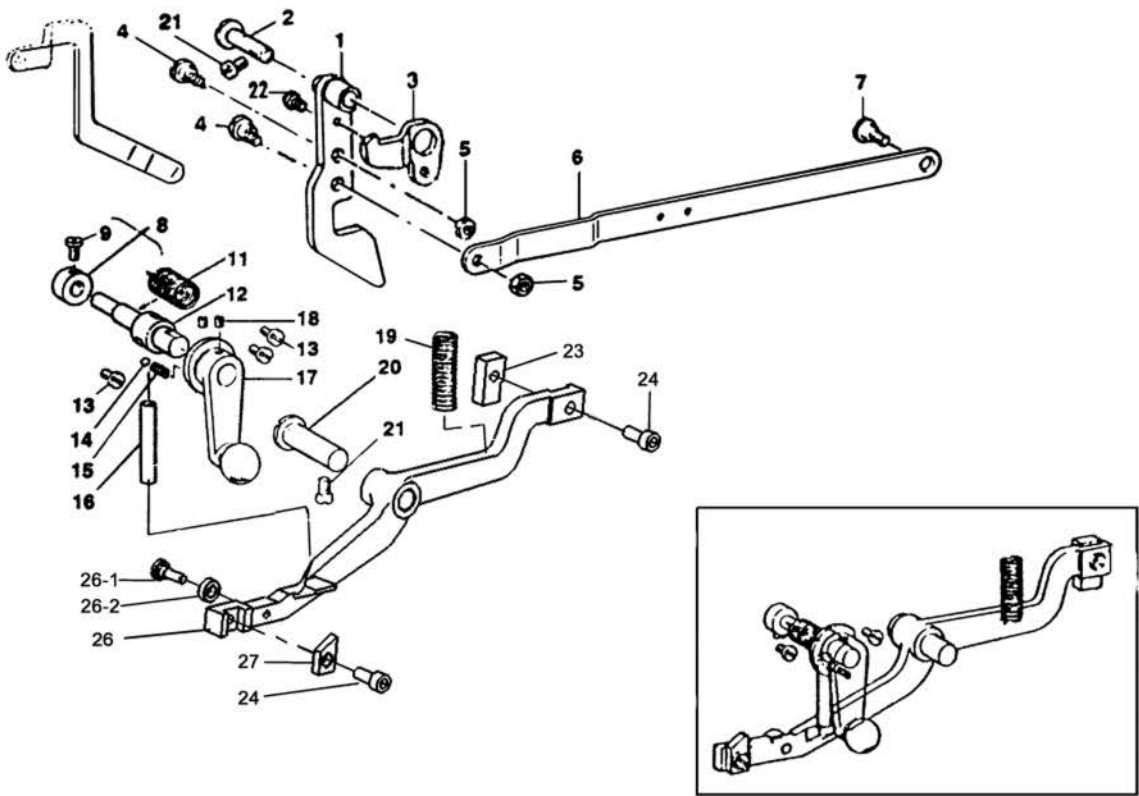
序号 NO	件号 Part NO.	名称	Description	数量 Qty
1	40225006	直齿轮	SPUR GEAR	1
2	4020800400	正齿轮轴套组件	SPUR GEAR BUSHING	2
3	40226031	正齿轮定位销	SPUR GEAR BUSHING	4
4	402S14006	螺钉	SCREW	4
5	40203024	离合环	CLUTCH COLLAR	2
6	402S14006	螺钉	SCREW	4
7	40203025	固定套管	POSITION BUSHING	1
8	40227018	离合器弹簧	CLUTCH SPRING	2
9	40225007	传动蜗轮	FEED CAM DRIVING WORM WHEEL	1
10	40202019	传动蜗轮轴	FEED CAM DRIVING WORM WHEEL SHAFT	1
11	40223016	油毡	COLLAR	1
12	40202020	送布凸轮传动蜗轮轴	FEED CAM DRIVING SHAFT	1
13	40225008	直齿轮	SPUR GEAR	1
14	40225009	手摇曲柄左齿轮	HANDLE CRANK BEVEL GEAR LEFT	1
15	40225010	手摇曲柄右齿轮	HANDLE CRANK BEVEL GEAR RIGHT	1
16	S09002	螺钉M6×6	SCREW	2
17	40208006	挡圈	THRUST COLLAR	1
18	402S14006	螺钉	SCREW	2
19	40202021	手摇曲柄轴	HANDLE CRANK SHAFT	1
20	300847	手摇曲柄	HANDLE CRANK	1
21	402S14006	螺钉	SCREW	2
22	402S15002	螺钉	SCREW	1
23	40211007	手柄	HANDLE SHAFT	1
24	40202022	手柄轴	HANDLE SHAFT	1
25	40225011	送布凸轮传动齿轮	FEED CAM DRIVING GEAR	1
26	409S14001	螺钉M6×6	SCREW	2
27	N01010	螺母M12	NUT	1
28	40228012	垫片	THRUST WASHER	1
29	40202023	送布凸轮轴	FEED CAM SHAFT	1
30	40210007	送布凸轮	FEED CAM	1
31	40228013	垫片	WASHER	1
32	402S11027	螺钉	SCREW	1
33	40209015	加固离合块	BAR TRIPPING SEGMENT	1
34	-----			0
35	40228008	垫片	WASHER	10
36	402S11001	十字槽盘头螺钉	SCREW	6
37	40209016	切刀离合块	KNIFE TRIPPING SEGMENT	1
38	40212049	松线离合块	TENSION RELEASE TRIPPING SEGMENT	1
39	40212050	松线离合块	TENSION RELEASE TRIPPING SEGMENT	1
40	-----			0
41	40209015	加固离合块	BAR TRIPPING SEGMENT	1
42	-----			0
43	40209018	低速凸轮块	LOW SPEED CAM	1
44	40209019	止动凸轮块	STOPPER CAM	1
45	402S11031	螺钉	SCREW	8
46	40209020	齿轮定位架	GEAR POSITION BRACKET	1
47	S05031	螺钉	SCREW	2
48	S05031	螺钉	SCREW	1
48-1	40228017	垫片	SPACER	3

## 11. 遮断装置关系 / STOP-MOTION COMPONENTS



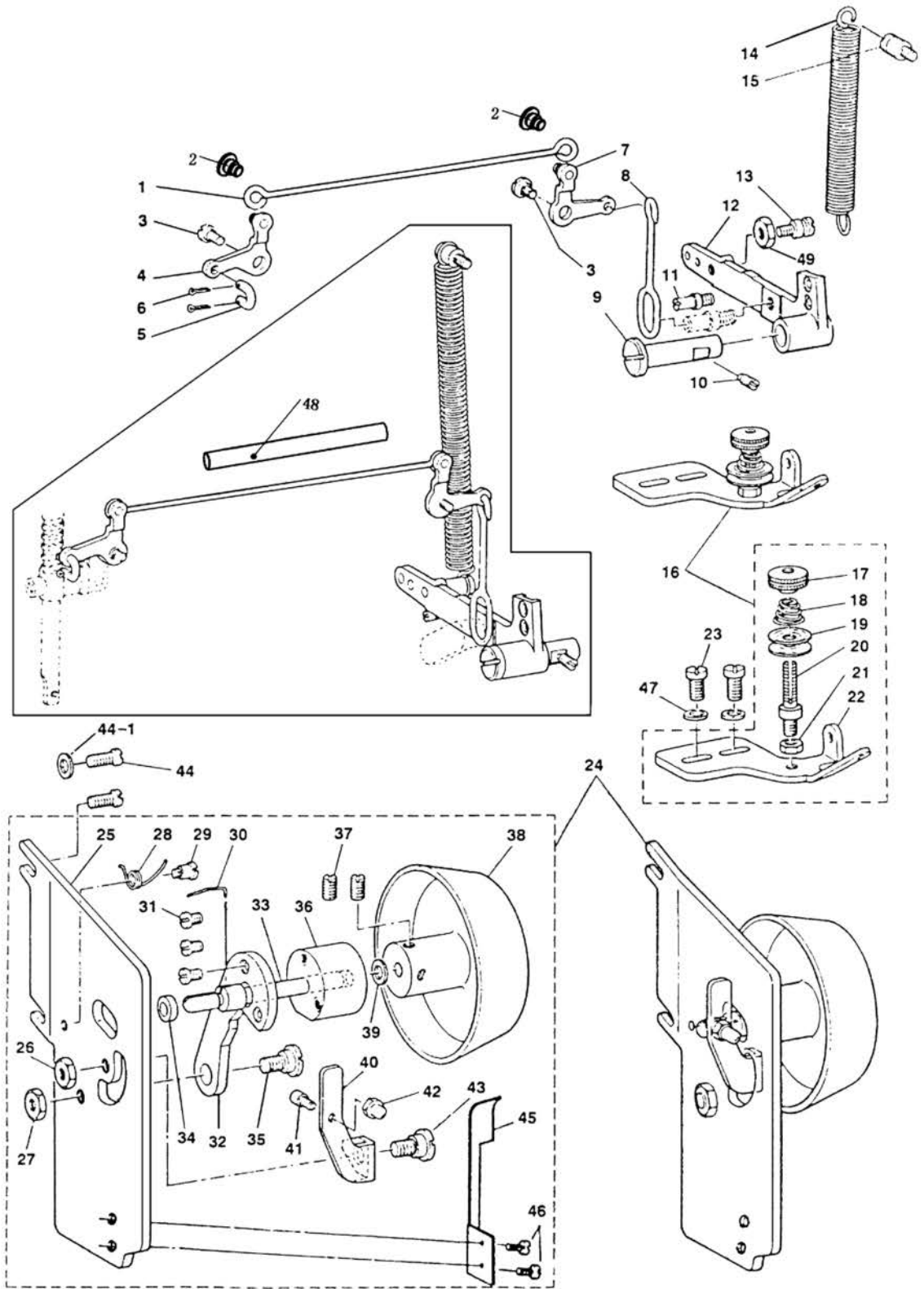
序号 NO	件号 Part NO.	名称	Description	数量 Qty
1	402S30032	吊簧螺钉	SUSPENSION SCREW	1
2	40227019	弹簧	TENSION SPRING	1
3	402S30033	止动连杆铰链销螺钉	STOP LINK ROD HINGE SCREW	1
4	40204020	止动铰链板	STOP LINK	1
5	402S16012	螺母	NUT	1
6	40226032	止动销	STOP LINK HINGE STUD	1
7	402S30034	止动铰链板连接螺钉	STOP LINK CONNECTING SCREW	1
8	40226033	止动连杆接头	STOP LINK ROD HINGE SCREW	1
9	40201014	止动杠杆	STOP MOTION LEVER	1
10	40212051	皮带拨叉	BELT SHIFTER	1
11	402S11013	螺钉	SCREW	2
12	40228017	垫圈	WASHER	2
13	H03014	挡圈	THRUST COLLAR	2
14	-----			0
15	-----			0
16	40226034	止动销	STOP PIN	1
17	40209021	锁定板	LATCH	1
18	40128026	弹簧垫片	SPRING SPACER	1
19	-----			0
20	402s13011	内六角螺钉	SCREW	1
21	402S16003	螺母	NUT	1
22	402S11021	螺钉	SCREW	1
23	40202024	止动连杆	STOP LINK ROD	1
24	40227020	止动杆压簧	STOP LINK ROD PRESSURE SPRING	1
25	402S16013	止动杆螺母	NUT FOR STOPMLINK ROD	1
26	402S16014	螺母	NUT	1
27	40201015	止动杠杆座	STOP MOTION LEVER BRACKET	1
28	S05050	螺钉M10×25	SCREW	2
29	40226035	销	PIN	1
30	402S14001	内六角凹端紧定螺钉	SCREW	1

## 12. 手动停止关系 / TRIPPING LEVER COMPONENTS



序号 NO	件号 Part NO.	名称	Description	数量 Qty
1	4021205200	起动杆组件	STARTING LINK	1
2	40226030	铰链螺栓	HINGE STUD	1
3	40212054	安全底座	SAFETY BASE	1
4	40210008	轴位螺钉	HINGE SCREW	2
5	402S16003	螺母	NUT	2
6	40212055	起动架连杆	STARTING LINK DRIVING ROD	1
7	402S20019	轴位螺钉	HINGE SCREW	1
8	10108002	挡圈	THRUST COLLAR	1
9	402S11003	螺钉	SCREW	1
10	-----			0
11	40227021	曲轴转矩弹簧	CRANK SHAFT TENSION SPRING	1
12	40202025	手制动曲柄轴	HAND STOP CRANK SHAFT	1
13	402S11036	螺钉	SCREW	2
14	40209022	手制动曲柄轴钢球	BALL	1
15	40227022	曲柄压簧	CRANK SHAFT PRESSURE SPRING	1
16	40202026	手制动轴	HAND STOP ROD	1
17	300848	手制动曲柄	HAND STOP CRANK	1
18	402S14006	螺钉	SCREW	2
19	40227023	运转脱离杆压簧	TRIPPING LEVER TENSION SPRING	1
20	40226036	铰链销	TRIPPING LEVER HINGE PIN	1
21	402S14001	内六角凹端紧定螺钉	SCREW	2
22	112S11008	螺钉	SCREW	1
23	40209023	锁定板	LATCH	1
24	S05028	螺钉M6×14	SCREW	1
24-1	S05028	螺钉	SCREW	1
25	-----			0
26	40201031	运转脱离杆	TRIPPING LEVER	1
26-1	402S20035	轴位螺钉	SCREW	1
26-2	40209030	滚子	CAM ROLL	1
27	40209024	脱离爪	TRIPPING DOG	1

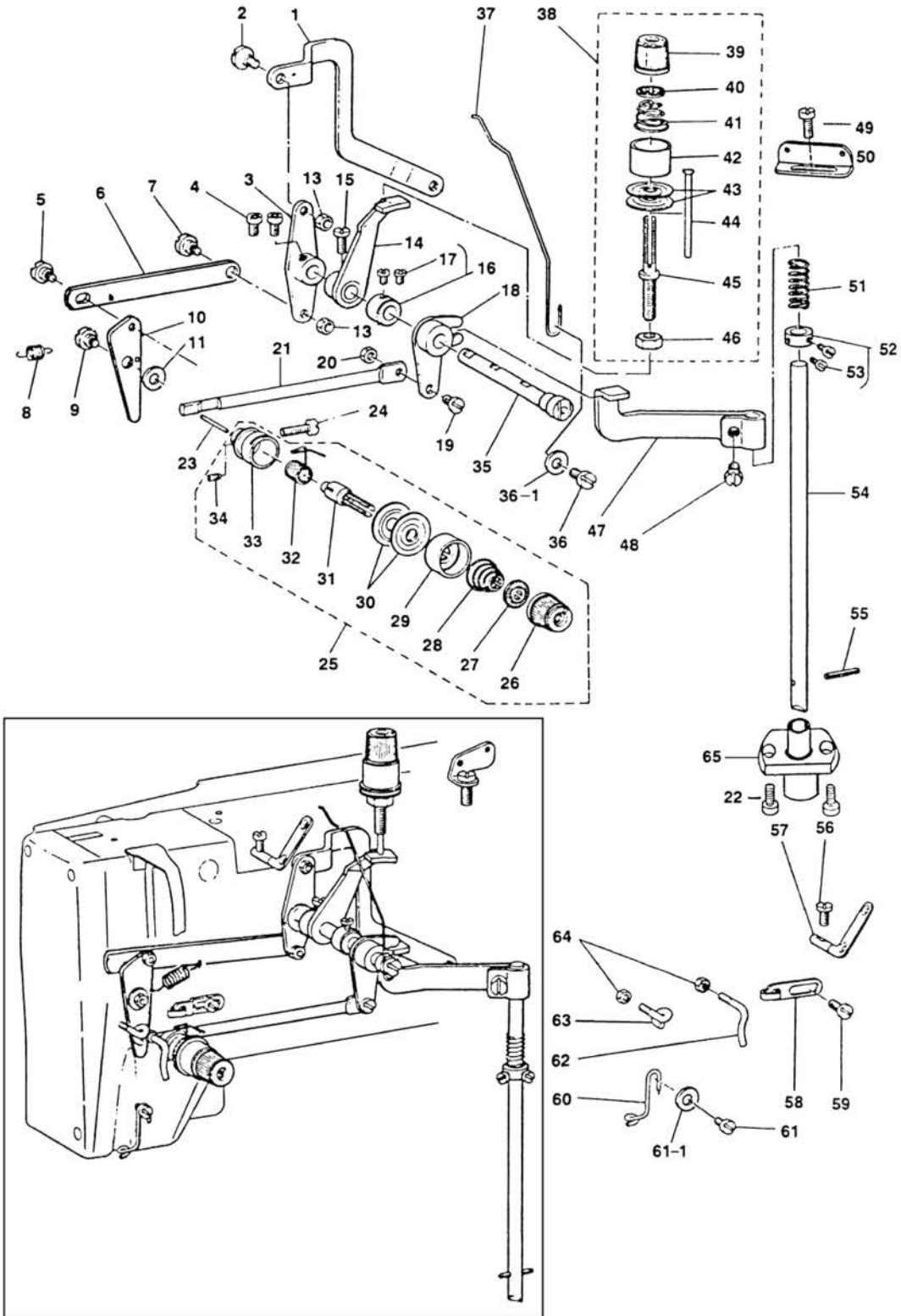
### 13. 压脚提升架、绕线器组 / LIFTING LEVER & BOBBIN WINDER COMPONENTS





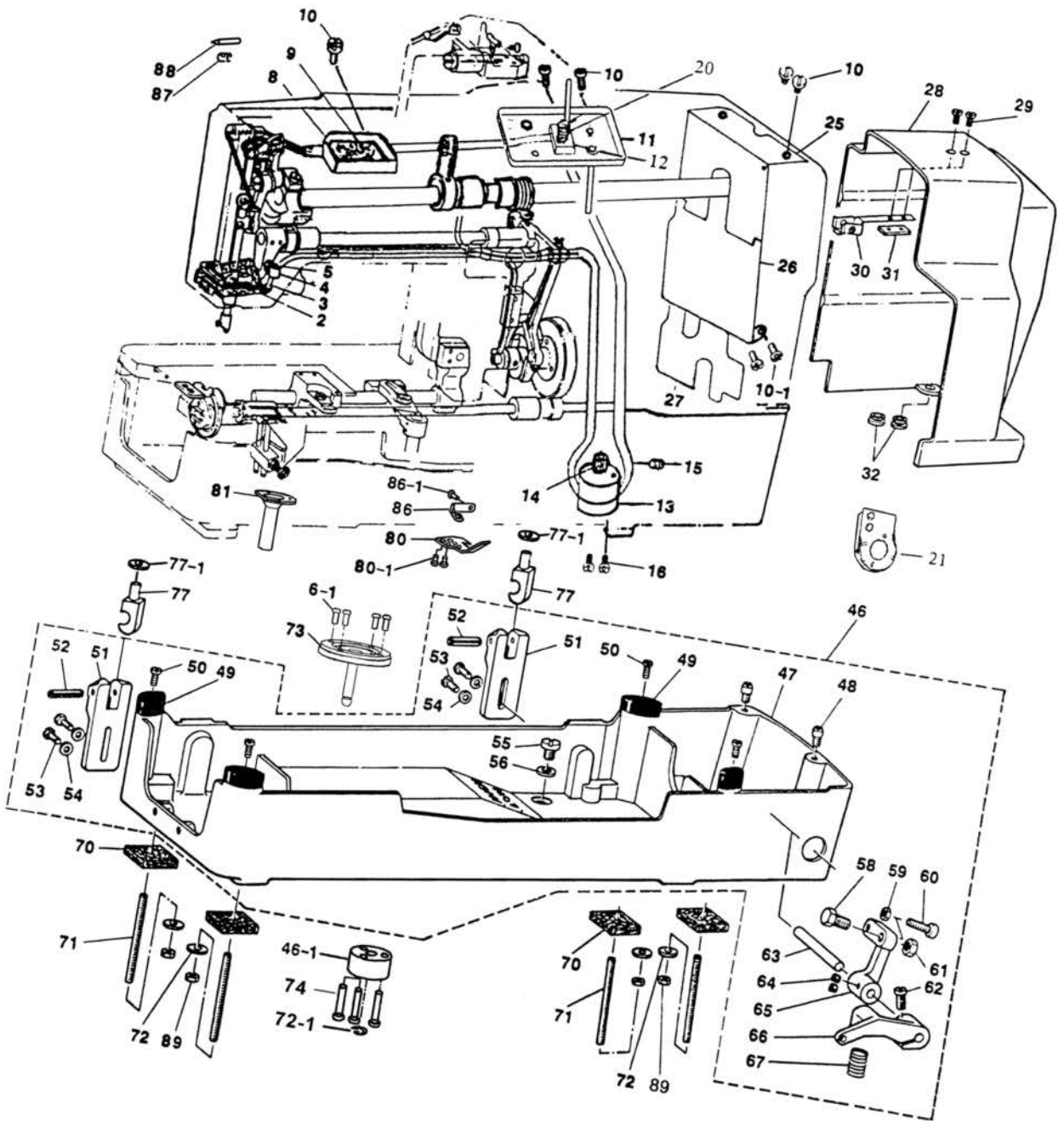
序号 NO	件号 Part NO.	名称	Description	数量 Qty
1	40205012	压棒提升拉杆	PRESSER BAR LIFTING ROD LONG	1
2	402S20020	螺钉	SCREW	2
3	402S20021	轴位螺钉	HINGE SCREW	2
4	40205013	前杠杆板	LEVER FRONT	1
5	40204022	链环	LINK	1
6	40229001	开口销2×11	SPLIT PIN	2
7	40205014	后杠杆板	LEVER REAR	1
8	40205015	压棒提升拉杆	PRESSER BAR LIFTING ROD	1
9	40226036	铰链销	TRIPPING LEVER HINGE PIN	1
10	402S14001	内六角凹端紧定螺钉	SCREW	1
11	402S30035	提升杆限位螺钉	LIFTING LEVER STOPPER	1
12	40212095	压棒提升杆	PRESSER BAR LIFTING LEVER	1
13	402S30036	悬挂螺钉	SUSPENSION SCREW	1
14	40227024	弹簧	PRESSER FOOT LIFTING SPRING	1
15	402S30032	悬挂螺钉	SUSPENSION SCREW	1
16	4023100100	绕线器组件	BOBBIN WINDER TENSION ASM.	1
17	402S16015	第一夹线螺母	BOBBIN WINDER TENSION NUT	1
18	40227025	绕梭心线夹线弹簧	BOBBIN WINDER TENSION SPRING	1
19	40213003	夹线盘	BOBBIN WINDER TENSION DISC	2
20	402S30037	绕梭心过线螺钉	BOBBIN WINDER TENSION POST	1
21	402S16016	螺母	NUT	1
22	40212058	绕梭心线过线架	BOBBIN WINDER TENSION BRACKET	1
23	402S11003	螺钉	SCREW	2
24	4023100200	绕线器组件	BOBBIN WINDER ASM.	1
25	40212059	绕线器板	BOBBIN WINDER BRACKET	1
26	402S16005	螺母	NUT	1
27	402S16003	螺母	NUT	1
28	40227026	绕线器弹簧	BOBBIN WINDER SPRING	1
29	402S20022	轴位螺钉	HINGE SCREW	1
30	40227027	梭心固定簧	BOBBIN SET SPRING	1
31	402S11004	螺钉	SCREW	3
32	40205016	带轮轴座	PULLEY SHAFT BASE	1
33	40202027	绕线器轴	BOBBIN WINDER SHAFT	1
34	400127	轴套	COLLAR	1
35	402S20023	轴位螺钉	HINGE SCREW	1
36	40203029	绕线器轴套	BOBBIN WINDER SHAFT BUSHING	1
37	402S15003	螺钉	SCREW	2
38	40235009	绕线器传动带轮	BOBBIN WINDER DRIVING PULLEY	1
39	40228017	垫片	WASHER	1
40	40212060	满线跳板簧	BOBBIN WINDER TRIP LATCH	1
41	402S30038	调节螺钉	ADJUSTING SCREW	1
42	402S30039	调节螺母	ADJUSTING NUT	1
43	402S20024	轴位螺钉	HINGE SCREW	1
44	402S11003	螺钉	SCREW	2
44-1	W01013	垫片	SPACER	2
45	40227028	弹簧板	SPRING BRACKET	1
46	402S11022	螺钉	SCREW	2
47	40228008	垫片	WASHER	2
48	40203030	拉杆套管	TUBE	1
49	402S16003	螺母	NUT	1

# 14. 夹线器关系 / THREAD TENSION COMPONENTS



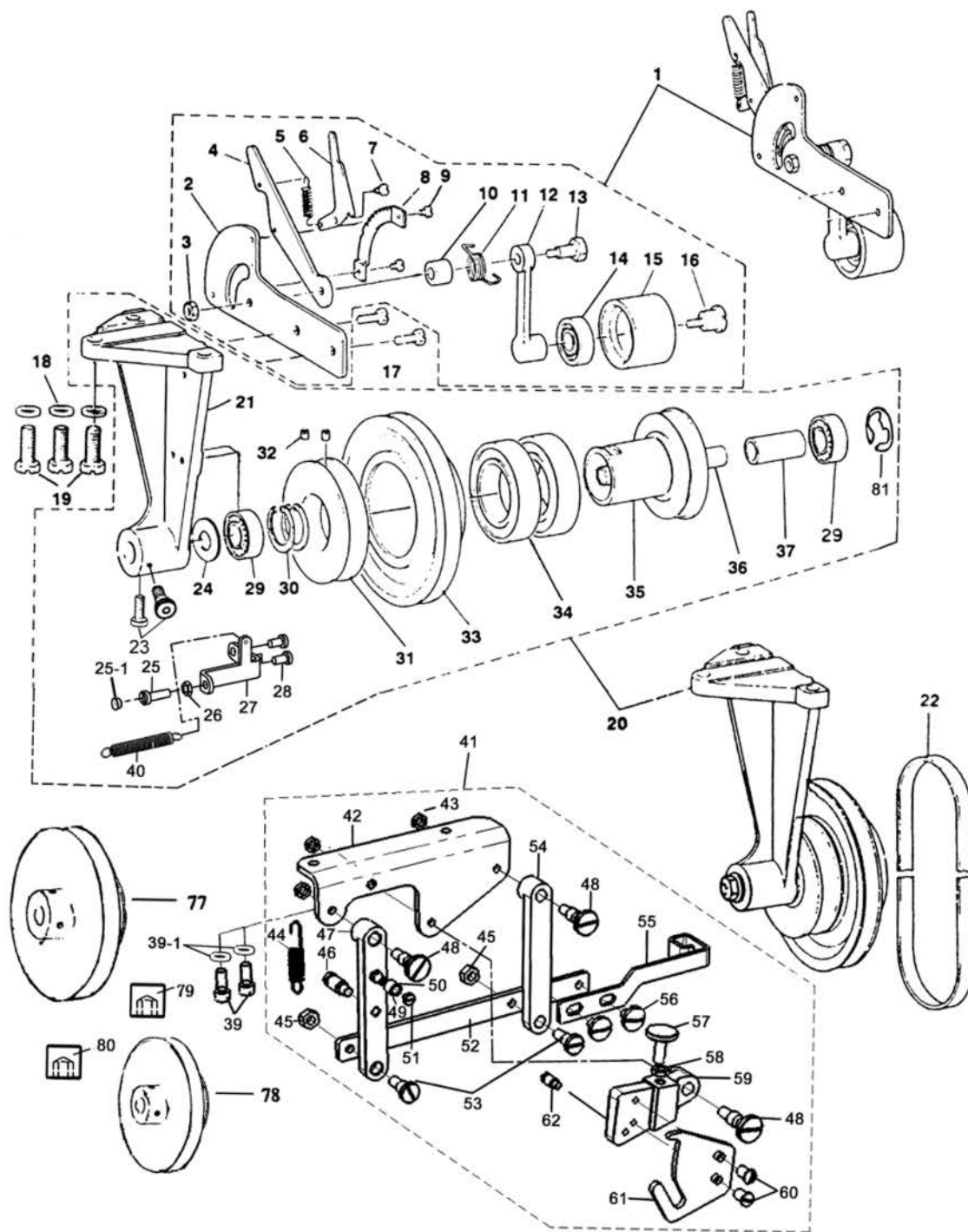
序号 NO	件号 Part NO.	名称	Description	数量 Qty
1	40212061	松线连杆	TENSION RELEASE LINK	1
2	402S20025	轴位螺钉	HINGE SCREW	1
3	40205017	松线杆	TENSION RELEASE LEVER	1
4	409S14001	螺钉	SCREW	2
5	402S20026	轴位螺钉	HINGE SCREW	1
6	40212062	连杆板	BLOCKING LINK	1
7	402S20025	轴位螺钉	HINGE SCREW	1
8	40127020	弹簧1850-0809	BLOCKING ARM SPRING	1
9	402S20021	轴位螺钉	HINGE SCREW	1
10	40212063	杠杆板	BLOCKING ARM	1
11	40228018	垫圈	WASHER	1
12	-----			0
13	402S16001	螺母	NUT	2
14	4021206400	松线杆组件	TENSION RELEASE LEVER	1
15	402S11023	螺钉	SCREW	1
16	10108002	挡圈	THRUST COLLAR	1
17	201S14002	紧定螺钉	SCREW	2
18	40204023	松线杆曲柄	TENSION RELEASE ROD	1
19	402S20028	轴位螺钉	HINGE SCREW	1
20	402S16017	螺母	NUT	1
21	40202028	松线杆	TENSION RELEASE ROD	1
22	S05049	螺钉	SCREW	2
23	40226037	松线销	TENSION RELEASE PIN	1
24	S09011	螺钉M5 ×6	SCREW	1
25	4021300400	夹线器2号组件	TENSION CONTROLLER NO. 2 ASM.	1
26	40211008	夹线调节手柄	TENSION NUT	1
27	40211009	夹线弹簧轴套	THREAD PULLING WIRE	1
28	40227030	夹线弹簧	TENSION SPRING	1
29	40212066	夹线盘压板	TENSION DISC PRESSER TUBE	1
30	40213005	夹线盘	TENSION DISC	2
31	402S30040	夹线柱	TENSION POST	2
32	40227031	挑线簧	THREAD TAKE-UP SPRING	1
33	40203032	夹线柱座	TENSION POST SOCKET	1
34	402S11024	螺钉	SCREW	1
35	40202029	松线杆轴	TENSION RELEASE LEVER SHAFT	1
36	402S11003	螺钉	SCREW	1
36-1	W01013		WASHER	1
37	40213006	拉线钢丝	THREAD PULLING WIRE	1
38	4021300700	1号夹线器组件	TENSION CONTROLLER NO. 1 ASM.	1
39	40211010	夹线螺母	TENSION NUT	1
40	40211011	垫片	TENSION DISC STOPPER	1
41	40227032	夹线弹簧	TENSION SPRING	1
42	40212067	夹线压板	TENSION DISC PRESSER TUBE	1
43	40213008	夹线盘	TENSION DISC	2
44	40226038	松线销	TENSION RELEASE PIN	1
45	402S30041	2号夹线杆	TENSION POST	1
46	402S16018	螺母	NUT	1
47	40212068	松线臂	TENSION RELEASE ARM	1
48	402S30042	螺钉	SCREW	1
49	402S11013	螺钉	SCREW	1
50	40913010	导线板	THREAD GUIDE PLATE	1
51	40227023	弹簧	SPRING	1
52	40208010	挡圈	THRUST COLLAR	1
53	402S11022	螺钉	SCREW	2
54	40202030	松线柱	TENSION RELEASE ROD	1
55	P03030	销3×18	SPRING PIN	1
56	201S14002	螺钉	SCREW	1
57	40213009	二眼线钩	THREAD EYELET	1
58	40213010	右线钩	FRAME THREAD GUIDE	1
59	206S11002	螺钉	SCREW	1
60	40212070	针杆过线钩	NEEDLE BAR THREAD GUIDE	1
61	402S11003	螺钉	SCREW	1
61-1	W01013	垫圈	WASHER	1
62	40213011	第二紧线钩	TENSION THREAD GUIDE	1
63	40213012	挑线过线钩	TAKE-UP THREAD GUIDE	1
64	402S16017	螺母	NUT	2
65	40203033	定位架	POSITION BRACKET	1

# 15. 给油装置关系 / LUBRICATION MECHANISM COMPONENTS



序号 NO	件号 Part NO.	名称	Description	数量 Qty
1				0
2	40223017	回油毡	OIL RETURN FELT	1
3	40221003	回油管(长度630mm)	OIL RETURN TUBE	1
4	40212071	油管压板	CABLE HOLDER	1
5	402S11003	螺钉	SCREW	1
6				0
6-1	402S11003	螺钉	SCREW	4
8	40212072	储油器	OIL RECEIVER	1
9	40223019	油毡	OIL FELT	2
10	402S11003	螺钉	SCREW	2
10-1	206S11002	螺钉	SCREW	5
11	4021207300	盛油架	OIL RECEIVER	1
12	4020902600	调节润滑螺钉座组件	OIL ADJUSTING SCREW BASE	1
13	4022000100	油泵座组件	OIL PUMP	1
14	40225012	油泵驱动蜗轮	OIL PUMP DRIVING WORM GEAR	1
15	201S14002	螺钉	SCREW	2
16	S05003	螺钉M5×10	SCREW	2
17	-----			0
18	-----			0
19	-----			0
20	40227035	弹簧	SPRING	1
21	40212076	油泵板	OIL PUMP PLATE	1
22	-----			0
25	40212077	油罩	OIL SHIELD	1
26	40212078	油罩	OIL SHIELD	1
27	40212079	油罩	OIL SHIELD	1
28	40201017	皮带罩	BELT GUIDE	1
29	402S11003	螺钉	SCREW	2
30	40227036	皮带罩安装夹	BELT GUARD LATCH	1
31	40212080	垫片	BOTTOM GUIDE	1
32	40222025	橡胶轴套	RUBBER BUSHING	2
46	40201018	油盘组件	MACHINE BASE ASM.	1
46-1	40226043	传动销座	DRIVING PIN BASE	1
47	300843	油盘(喷漆)	OIL RESERVOIR	1
48	402S30046	导销	GUIDE PIN	2
49	40222026	橡胶缓冲垫	RUBBER CUSHION	4
50	402S11003	螺钉	SCREW	4
51	40201020	铰链座300849	HINGE HOLDER	2
52	P03031	销P6×28	PIN	2
53	S05016	螺钉M6×25	SCREW	4
54	40228014	垫圈	WASHER	4
55	402S11026	螺钉	SCREW	1
56	40222027	密封垫	OIL DRAIN CAP GASKET	1
58	402S11035	螺钉M8×20	SCREW	1
59	402S16003	螺母	NUT	1
60	402S30047	止动螺钉	STOP SCREW	1
61	402S16025	螺母	NUT	1
62	401S13001	螺钉	SCREW	1
63	40202036	起动架轴	STARTING LINK SHAFT	1
64	402S14006	螺钉	SCREW	2
65	40201021	起动架	STARTING LINK	1
66	40201022	起动杆	STARTING LEVER	1
67	40227037	起动杠杆压簧	SRARTING LEVER PRESSURE SPRING	1
68	-----	拨叉传动销		0
69	-----	橡胶套		0
70	40222028	油盘缓冲垫	MACHINE BASE FELT PAD	4
71	402S30048	油盘螺栓	MACHINE BASE SCREW STUD	4
72	40228019	垫圈	WASHER	4
72-1	H05013	E型挡圈	E-WASHER	1
73	4022604400	传动销组件	DRIVING PIN ASM.	4
74	402S16024	螺钉	SCREW	3
75	-----			0
76	-----			0
77	40226039	连接销	CONNECTION STUD	2
77-1	40222031	橡胶垫圈	RUBBER WASHER	2
78	-----			0
80	40212081	油管固定板	PIPE RETAINER	1
80-1	206S11002	螺钉	SCREW	2
81	40211012	漏斗	FUNNEL	1
86	40212082	油管导架	PIPE GUIDE	1
86-1	206S11002	螺钉	SCREW	2
87	40212099	油线固定夹	OIL WICK LATCH	1
88	20626004	油线销	OIL WICK PIN	1
89	401S16002	螺母	NUT	8

# 16. 减速机关系 / SPEED TRANSMITTER COMPONENTS



序号 NO	件号 Part NO.	名称	Description	数量 Qty
1	4023501000	皮带张紧轮座组件	TENSION PULLEY ASM.	1
2	40212083	皮带张紧轮座	TENSION PULLEY BRACKET	1
3	402S16003	螺母	NUT	1
4	40212084	张紧杆	TENSION LEVER	1
5	40227038	定位爪拉簧	NIPPER BAR ACTUATING LEVER SPRING	1
6	40212085	定位爪	FIXING PAWL	1
7	402S20029	轴位螺钉	HINGE SCREW	1
8	40212086	棘爪	RATCHET	1
9	409S11008	螺钉	SCREW	2
10	40208011	隔套	LEVER COLLAR	1
11	40227039	转距弹簧	TENSION SPRING	1
12	40205018	张紧轮连杆	TENSION PULLEY LINK	1
13	402S20031	轴位螺钉	HINGE SCREW	1
14	B04014	轴承6202-2Z	BEARING	1
15	40235011	皮带张紧轮	TENSION PULLEY	1
16	402S20030	轴位螺钉	HINGE SCREW	1
17	S05033	螺钉M6×12	SCREW	2
18	40228020	垫圈	WASHER	3
19	402S30049	螺钉	SCREW	3
20	40201023	拨叉传动组件	SHIFTER DRIVING ASM.	1
21	40201024	变速器支架	SPEED TRANSMITTER BRACKET	1
22	40235012	平带	BELT	1
23	S05033	螺钉	SCREW	2
24	40228021	垫圈	HIGH SPEED WASHER FOR BEARING	1
25	402S30057	止动螺钉	STOP SCREW	1
25_1	40211018	尼龙垫	NYLON GASKET	1
26	409S16020	螺母	NUT	1
27	40201028	拨叉限位器支架	SHIFTER STOPPER BRACKET	1
28	402S30059	螺钉	SCREW	2
29	B04014	轴承	BEARING	2
30	H01010	挡圈35	RETAINING RING	2
31	40235013	增速带轮	ACCELERATING PULLEY	1
32	402S14001	螺钉	SCREW	2
33	40235014	高速带轮	HIGH-SPEED PULLEY	1
34	B04010	轴承	BEARING	2
35	40235015	低速带轮	LOW-SPEED PULLEY	1
36	40202033	变速轴	SPEED TRANSMITTER SHAFT	1
37	40208012	隔套	SLEEVE	1
39	S05028	螺钉	SCREW	2
39_1	41228002	垫圈	WASHER	2
40	40227043	拨叉拉簧	SHIFTER TENSION SPRING	1
41	4020102700	拨叉底座组件	SHIFTER BASE ASM.	1
42	40201029	拨叉底座	SHIFTER BASE	1
43	409S16020	螺母	NUT	3
44	40227042	拨叉凸轮弹簧	SHIFTER CAM SPRING	1
45	409S16012	螺母	NUT	2
46	402S30056	拨叉张紧拉簧螺钉	SCREW	1
47	40204025	拨叉传动臂	SHIFTER DRIVING ARM	1
48	402S20033	轴位螺钉	HINGE SCREW	3
49	40226045	滚轮销	ROLLER STUD	1
50	40209029	滚子	CAM ROLL	1
51	402S11032	螺钉	SCREW	1
52	40212091	拨叉安装板	SHIFTER INSTALLING PLATE	1
53	402S20034	铰链螺钉	HINGE SCREW	2
54	40204026	拨叉连架臂	SHIFTER HOLDING ARM	1
55	40212092	变速拨叉	SPEED TRANSMITTER SHIFTER	1
56	402S11033	螺钉	SCREW	2
57	402S30053	拨叉销螺钉	SHIFTER PIN SCREW	1
58	409S16020	螺母	NUT	1
59	40212093	拨叉凸轮安装架	SHIFTER CAM MOUNTING	1
60	409S11010	螺钉	SCREW	2
61	40210009	拨叉凸轮	SHIFTER CAM	1
62	402S30054	挂簧螺钉	SUSPENSION SCREW	1
77	40235016	马达轮	MOTOR PULLEY	1
78	40235018	马达轮	MOTOR PULLEY	1
79	402S14001	螺钉	SCREW	2
80	201S14002	螺钉	SCREW	1
81	H05022	卡簧	"C"CLIP	2